

FONDUSSIMO[®]

User Manual & Warranty Guide d'utilisation et Garantie

EVOLUTION FONDUE SET • 6 BASKETS

ENSEMBLE À FONDUE EVOLUTION • 6 PANIERS

Table of contents

INTRODUCTION	3
IMPORTANT WARNINGS	4
PARTS DESCRIPTION	7
Electric Pot	7
Broth Fondue Accessories	7
OPERATING INSTRUCTIONS	9
Before First Use	9
Basic Appliance Instructions	9
Instructions for Preparing Broth Fondue	10
CARE AND MAINTENANCE	12
WARRANTIES	13
One (1) year Basic Warranty	13
Four (4) year Extended Warranty	15
RETURN AND REFUND	17
TABLE DES MATIÈRES (French Version)	18

Introduction*

Thank you for choosing Fondussimo. We are delighted to welcome you to the delicious world of reinvented fondue!

To ensure optimal use of your appliance, please read this User Manual carefully and keep it for future reference.

Please read the following Important Warnings before using your appliance for the first time*.

If you have any questions, please do not hesitate to contact our Customer Experience Specialists at 1-855-999-0620, Monday through Friday, 9:00 a.m. to 5:00 p.m. (EDT), or at any time by email at info@fondussimo.com.

MODEL: FME1001

*The technical specifications of this User Manual are subject to change without notice.

Important Warnings

**READ THESE WARNINGS CAREFULLY AND
THE BASIC APPLIANCE INSTRUCTIONS
IN THE OPERATING INSTRUCTIONS SECTION**

FOR YOUR SAFETY, FOLLOW THESE INSTRUCTIONS

SAFETY INSTRUCTIONS

Please read these safety instructions carefully before using the appliance for the first time. Please also read the **Operating Instructions** starting on page 9 of this User Manual carefully and keep them handy. Children and people who have not read these instructions should not use the appliance. Any use other than that intended is not recommended and may lead to serious accidents. The manufacturer cannot be held responsible for the consequences of improper use.

WARNING!

The electric base and pot get hot during use.
This appliance is not intended for commercial use.

PLEASE KEEP THESE INSTRUCTIONS

- **DO NOT** use an appliance with a damaged plug or cord, or one that is in poor condition or damaged in any way.
- **DO NOT** repair the unit yourself. This appliance has no user-serviceable parts. If you notice any defect with your product, please immediately refer to the **Warranty** section of this User Manual.
- **DO NOT** set the appliance on a synthetic or plastic tablecloth, on an unstable surface or near flammable products.
- **DO NOT** use the appliance near curtains, wall coverings, dishcloths, clothing or other flammable materials.
- **DO NOT** use this appliance for purposes other than those for which it is intended.
- **DO NOT** place the appliance in a hot oven or microwave.
- **DO NOT** use the appliance to prepare a Bourguignonne Fondue (oil fondue).
- **DO NOT** use the appliance to prepare cheese or chocolate Fondue without the ceramic bowl for double boil designed for this purpose (sold separately).

- **DO NOT** allow the power cord to come into contact with hot surfaces. Arrange the power cord or any extension cord used so that it cannot be tripped over.
- **DO NOT** let the power cord hang over a table or counter.
- **DO NOT** immerse the electric base in water for cleaning. The steel pot can be immersed for cleaning but should not be placed in the dishwasher. The ring and baskets can be immersed in water or cleaned in the dishwasher.
- **DO NOT** knock or drop the appliance.
- **DO NOT** touch the electric base or pot while the appliance is in use or before they have had time to cool down, even if the temperature control knob is set to the “off” position marked by a (·) dot.
- **DO NOT** use the appliance with an external timer or programming device.
- **DO NOT** place the electric base on a hot surface.
- **DO NOT** mix different fats and oils in the steel pot.
- **DO NOT** overheat fats and oils in the pot.
- **DO NOT** move the pot and the electric base until they have cooled down.
- **DO NOT** use abrasive cleaners to clean the product.
- **DO NOT** use the appliance when it is empty.
- **DO NOT** use Fondussimo components with products made by other manufacturers, and vice versa.
- **DO NOT** use the electric base without the pot in place.
- To reduce the risk of electric shock, **DO NOT** immerse the cord, plug or electrical base of the Fondue Set in water or other liquids.
- **AVOID** any skin contact with the hot surfaces of the appliance by always using the handles.
- If the liquids you are heating in the pot catch fire, **DO NOT** attempt to extinguish the flame with water. Completely block the air intake above the container with a lid or damp cloth to smother the flame.
- Use of accessories that are not recommended by the manufacturer of the appliance may result in fire, electric shock or injury.
- During prolonged periods of use, the pot and electric base may become hot; use the pot handles or oven mitts to move them.
- Use extreme caution when using or moving a fondue pot containing hot liquid. A fondue pot containing hot liquids should never be left unattended.
- This appliance is intended for adult use only and should not be used by children without adult supervision.
- Always make sure that the pot is centered on the electric base when using the appliance.
- Always set the temperature to the “off” position indicated by a (·) dot, unplug the appliance and allow it to cool before handling and cleaning.

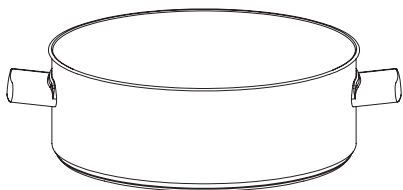
- Always unplug the appliance by pulling on the plug, not the cord.
- Always unplug the appliance when not in use and before cleaning.
- Always allow the appliance to cool down before installing or removing parts.
- This appliance is designed for indoor use. If you intend to use this appliance outdoors, please ensure that it is protected from the weather.
- This appliance is designed to operate from a standard 120-volt outlet. It has a three-prong plug and a detachable magnetic power cord.
- It is not recommended to use metal utensils with the appliance as they may damage the coating.
- The appliance's 100 cm (40 in) power cord meets the standards for this type of appliance.
- The appliance may be used with a compatible UL-listed 3-prong extension cord. Use caution to avoid accidents.

Failure to comply with these safety instructions may void the warranty.

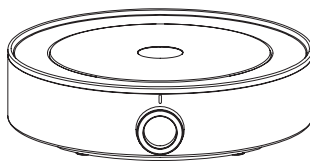
Parts description

ELECTRIC POT

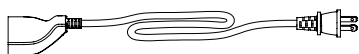
DURABLE STEEL POT
WITH A CAPACITY OF 3 LITRES



REMOVABLE ELECTRIC BASE
WITH HEAT CONTROLLER

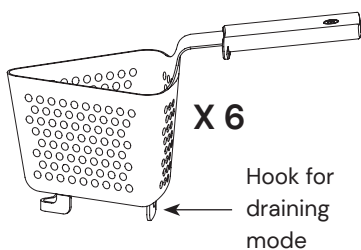


100 CM (40 IN) DETACHABLE MAGNETIC POWER CORD



BROTH FONDUE ACCESSORIES

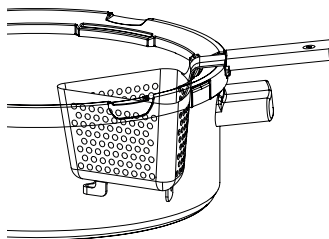
STAINLESS STEEL PERFORATED BASKETS



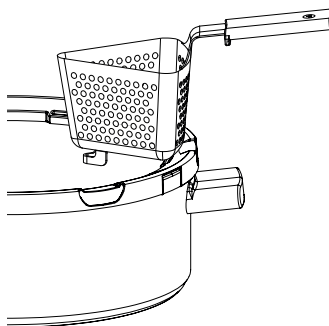
RING TO SECURE THE BASKETS



Cooking
mode



Draining
mode



Operating Instructions

BEFORE FIRST USE

Wash the pot, ring and baskets in warm soapy water. Rinse well and wipe dry. Remove the warning sticker from the electric base, wipe it with a damp cloth and wipe dry.

Due to the protective coatings used in the manufacturing of the product, there may be a slight smoke and burnt smell for a few minutes during first use.

Carefully read the **Important Warnings** starting on page 4 before first use.

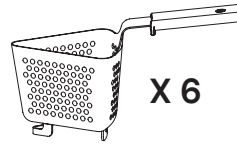
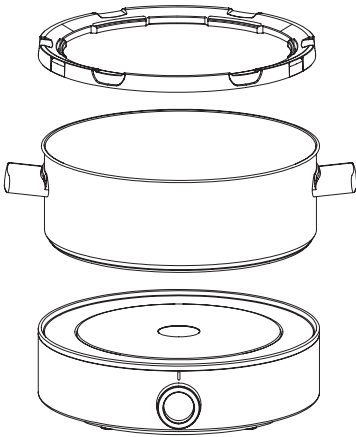
BASIC APPLIANCE INSTRUCTIONS

- Install the appliance on a flat, dry, heat-resistant surface in a well-ventilated room.
- Before plugging the power cord into a 120-volt outlet, make sure that the temperature control is in the “off” position, indicated by a (·) dot.
- Your appliance has five temperature settings ranging from lowest (I) to highest (IIII). Use the heat controller to adjust the temperature during cooking to achieve the desired result. The heating element will maintain the selected temperature.
- The indicator light will come on to show that the appliance is heating. The heating element and indicator light switch off when the selected temperature level is reached. The element will switch on again when it has cooled down.
- When you are done using the appliance, set the temperature control to the “off” position identified by a (·) dot. Unplug the power cord from the wall outlet.

WARNING: The electrical base becomes very hot during use. Always allow the appliance to cool completely before handling.

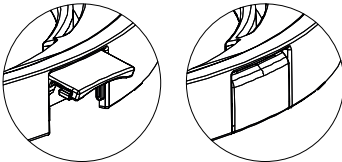
INSTRUCTIONS FOR PREPARING BROTH FONDUE

PARTS REQUIRED FOR ASSEMBLY



APPLIANCE ASSEMBLY

1. Attach the ring to the pot using the four



"CLICK!"

2. Place the pot on the electric base.
3. Connect the power cord to the appliance when ready to serve.

FOR THE PREPARATION OF THE BROTH ON THE STOVETOP

1. Place the assembled appliance in the centre of the table.
2. Follow the preparation instructions for your favourite recipe.
3. Using a pitcher, pour the amount of broth specified in each recipe into the pot.
4. When ready to eat, set the temperature control between levels (I) and (III). Adjust the temperature level during the meal so that the broth keeps simmering gently.
5. If necessary, add some broth during the meal to maintain its level.

FOR THE PREPARATION OF THE BROTH IN THE ELECTRIC POT

1. Place the assembled appliance in the centre of the table.
2. Follow the preparation instructions for your favourite recipe or add store-bought broth to the pot and set the heat controller to the desired temperature.
3. Make sure to prepare enough broth to add some to the pot during the meal. Always follow the instructions in each recipe.
4. If necessary, add a little water, aromatic stock (chicken, vegetable, beef or other) or store-bought broth during your meal.

ADVICE ON USING THE PRODUCT FOR BROTH FONDUES

Always follow the Important Warnings starting on page 4 and the Operating Instructions on page 9.

- Always follow the instructions in each recipe to prepare the correct amount of broth, especially when preparing highly absorbent foods such as pasta or root vegetables.
- For the best experience, it is better to keep the broth slightly simmering rather than boiling.
- Use the hooks on the bottom of the baskets to attach them to the ring in draining mode above the pot in order to keep your table clean.
- Remove the ring and baskets from your Fondussimo Evolution to prepare sautés, risottos, soups, frittatas and other wonderful dishes! Use a few drops of oil to prevent your food from sticking to the pot and keep the heat level between (I) and (III) to avoid burning. The pot can also be used directly on your stove!

**For the full reinvented fondue experience,
try dozens of exclusive recipes available
for free on [Fondussimo.com](https://www.fondussimo.com)!**

Care and maintenance

Your Fondue Set requires minimal maintenance. If you experience a malfunction, please contact us at 1-855-999-0620, Monday through Friday, between 9:00 a.m. and 5:00 p.m. (EDT), or anytime by emailing info@fondussimo.com.

- Always let the appliance cool down before cleaning.
- After use, wipe the electrical base with a damp cloth and dry it well.
- Soak the pot and clean it by hand using regular dishwashing soap. We recommend soaking the pot and baskets immediately after the meal, once the pot has cooled down.
- We recommend waiting for the various parts of the appliance to cool down before rinsing them, either by leaving them on the electrical base when it is switched off or by removing them with oven mitts and placing them on a trivet or wooden board.
- Always store the appliance in a safe and dry place.
- Do not use abrasive cleaning products to clean the appliance.

Warranties

ONE (1) YEAR BASIC WARRANTY

International DCI Inc.¹ warrants that the product will be free from defects in materials and workmanship for a period of one year, excluding the exclusions listed below, from the date shown on the purchase invoice. The original invoice is required for the application of the warranty. The warranty is transferable, but the claimant must present the invoice in order to make a claim.

BASIC WARRANTY COVERAGE

With the exception of the exclusions below, the Basic Warranty covers all defects in materials or workmanship.

In the event of a warranty claim, we reserve the right to repair the defective product or to replace it with a new or reconditioned product. If the model of the defective product is no longer available, we reserve the right to repair or replace it with a similar model of equivalent or greater value.

PROCEDURE FOR THE EXECUTION OF THE BASIC WARRANTY

In the event of a defect in the product or improper performance of the service covered by the Basic Warranty, International DCI Inc. will repair and/or replace the defective components or replace the entire unit. For more details, please refer to the website.

Please contact our Customer Experience Department using the following contact information to execute your Basic Warranty:

1-855-999-0620, Monday through Friday, between 9:00 a.m. and 5:00 p.m. (EDT), or anytime by emailing info@fondussimo.com.

Only International DCI Inc. or any other person designated by it in writing is authorized to execute the Basic Warranty.

¹ Corporation legally incorporated and governed under the Loi sur les sociétés par actions (Québec), with its head office at 435, route 108 Est, Saint-Victor (Québec) GOM 2B0.

TRANSFER OF THE BASIC WARRANTY

The Basic Warranty may be transferred, but the claimant must provide the purchase invoice for the product in order to make a claim.

EXCLUSIONS FROM THE BASIC WARRANTY

The Basic Warranty does not apply in the following situations:

- Use of the product contrary to the instructions in this User Manual;
- The product being dropped or otherwise damaged by human factors;
- Disassembly of the product and/or attempt to repair the product by the user;
- Any damage to the appliance caused by accident, fault or negligence of the user, misuse of the appliance or intentional damage;
- Any damage resulting from use of the appliance contrary to this User Manual, including but not limited to accidents, fires, burns or any other accident; and
- Discolouration, scratching, chipping or overheating due to use in a commercial environment. This warranty does not cover normal wear and tear of the product.

THE WARRANTY IS VOIDED BY:

- Use of the product contrary to the instructions in this User Manual;
- The product being dropped or otherwise damaged by human factors;
- Disassembly of the product and/or attempt to repair the product by the user;
- Accident, misuse, abuse or intentional damage to the product; and
- Discolouration, scratching, chipping or overheating due to use in a commercial environment.

This warranty is the only warranty, whether express or implied, that we offer, except for our Extended Warranty, the terms of which are set out below.

- The manufacturer reserves the right to modify the product without prior notice.
- The contents of this guide have been checked. Subject to modifications and errors.

FOUR (4) YEAR EXTENDED WARRANTY

International DCI Inc.² offers an additional Extended Warranty of four (4) years from the date of expiration of the Basic Warranty to all customers who purchased their product directly on Fondussimo.com, as well as to all customers who register their product using the sticker on the Fondussimo pot, for a total of five (5) years combined with the Basic Warranty.

For customers who have registered their product, the Extended Warranty applies from the expiry date of the Basic Warranty included with the product, which in turn expires one (1) year after the date of purchase shown on the original invoice.

EXTEND WARRANTY COVERAGE

With the exception of the exclusions listed below, the Extended Warranty covers all defects in materials and workmanship as described in the Basic Warranty.

In the event of a warranty claim, we reserve the right to repair the defective product or to replace it with a new or reconditioned product. If the model of the defective product is no longer available, we reserve the right to repair or replace it with a similar model of equivalent or greater value. This Extended Warranty is applied on the same terms as the Extended Warranty detailed above.

PROCEDURE FOR THE EXECUTION OF THE EXTENDED WARRANTY

In the event of a defect in the product or improper performance of the service covered by the Extended Warranty, International DCI Inc. will repair and/or replace the defective components or replace the entire unit. For more details, please refer to the website.

Please contact our Customer Experience Department using the following contact information to execute your Extended Warranty:

1-855-999-0620, Monday through Friday, between 9:00 a.m. and 5:00 p.m. (EDT), or anytime by emailing info@fondussimo.com.

Only International DCI Inc. or any other person designated by it in writing is authorized to execute the Extended Warranty.

² Corporation legally incorporated and governed under the Loi sur les sociétés par actions (Québec), with its head office at 435, route 108 Est, Saint-Victor (Québec) G0M 2B0.

TRANSFER OF THE EXTENDED WARRANTY

The Extended Warranty may be transferred, but the claimant must provide the purchase invoice for the product in order to make a claim.

EXCLUSIONS FROM THE EXTENDED WARRANTY

The Extended Warranty does not apply in the following situations:

- Use of the product contrary to the instructions in this User Manual;
- The product being dropped or otherwise damaged by human factors;
- Disassembly of the product and/or attempt to repair the product by the user;
- Any damage to the appliance caused by accident, fault or negligence of the user, misuse of the appliance or intentional damage;
- Any damage resulting from use of the appliance contrary to this User Manual, including but not limited to accidents, fires, burns or any other accident; and
- Discolouration, scratching, chipping or overheating due to use in a commercial environment. This warranty does not cover normal wear and tear of the product.

Return and refund

You have ten (10) days following the reception of your order to request a refund. For a refund to be issued, the items must be returned in their original condition, i.e. unused, packed in their original undamaged packaging and with all accessories, parts and manuals supplied by the manufacturer.

Beyond (10) days following the reception of your order, only defective products may be returned for an exchange.

TO RETURN PRODUCTS AND RECEIVE A REFUND:

1. Contact our Customer Experience Department at 1-855-999-0620, Monday through Friday, 9:00 a.m. to 5:00 p.m. (EDT), or anytime by email at info@fondussimo.com.
2. Once we have received and verified your request and the items have been received at our warehouse, we will refund the price paid for the returned items.
3. Please note that for a return and refund to be accepted, the items must be unused and in their original packaging.

Table des matières

INTRODUCTION	19
MISES EN GARDE IMPORTANTES.....	20
DESCRIPTION DES PIÈCES.....	23
Poêle électrique.....	23
Accessoires pour la fondue à bouillon	23
CONSIGNES D'UTILISATION.....	25
Avant la première utilisation.....	25
Consignes d'utilisation de l'appareil	25
Consignes pour la préparation de fondues à bouillon	26
ENTRETIEN ET NETTOYAGE.....	28
GARANTIES.....	29
Garantie de base d'un (1) an.....	29
Garantie prolongée de quatre (4) ans.....	31
RETOUR ET REMBOURSEMENT.....	33

Introduction

Merci d'avoir choisi Fondussimo. Nous vous souhaitons la bienvenue dans le délicieux univers de la fondue réinventée!

Pour assurer une utilisation optimale de votre appareil, veuillez lire attentivement ce Guide d'utilisation et conservez-le à des fins de référence ultérieure*.

Prenez connaissance des Mises en garde importantes qui suivent avant votre première utilisation de l'appareil.

Pour toutes questions, n'hésitez pas à contacter nos spécialistes de l'expérience client au 1-855-999-0620, du lundi au vendredi, entre 9h et 17h (HAE), ou en tout temps en écrivant à contact@fondussimo.com.

MODÈLE: FME1001

*Les spécifications techniques de ce guide d'utilisation sont susceptibles de changer sans préavis.

Mises en garde importantes

**LIRE ATTENTIVEMENT CES MISES EN GARDE
ET LES CONSEILS D'UTILISATION DE LA SECTION
CONSIGNES D'UTILISATION**

POUR VOTRE SÉCURITÉ, SUIVRE CES DIRECTIVES

CONSIGNES DE SÉCURITÉ

Veillez lire attentivement ces consignes de sécurité avant d'utiliser l'appareil pour la première fois. Veuillez également lire attentivement les **Consignes d'utilisation** qui débutent à la page 25 de ce guide et les garder à portée de main. Les enfants et les personnes qui n'ont pas lu ces consignes ne doivent pas utiliser l'appareil. Une utilisation autre que celle prévue initialement n'est pas recommandée et risque d'entraîner des accidents graves. Le fabricant ne peut être tenu responsable des conséquences d'une mauvaise utilisation.

AVERTISSEMENT !

La base électrique et le chaudron deviennent chauds pendant l'utilisation. Cet appareil n'est pas destiné à un usage commercial.

VEUILLEZ CONSERVER CES CONSIGNES

- **NE PAS** utiliser un appareil dont la fiche ou le cordon est abîmé, qui n'est pas en bon état de fonctionnement ou qui est endommagé d'une quelconque façon.
- **NE PAS** réparer l'appareil soi-même. Cet appareil ne comprend aucune pièce réparable par l'utilisateur. Dès que vous constatez un défaut quelconque, veuillez vous référer immédiatement à la section **Garantie** du présent Guide d'utilisation.
- **NE PAS** placer l'appareil sur une nappe synthétique ou en plastique, sur une base instable ou près de produits inflammables.
- **NE PAS** utiliser l'appareil à proximité de rideaux, de revêtements muraux, de linges à vaisselle, de vêtements ou de tout autre matériau inflammable.
- **NE PAS** utiliser cet appareil à des fins autres que celles auxquelles il est destiné.
- **NE PAS** placer l'appareil dans un four chaud ou au four micro-ondes.

- **NE PAS** utiliser l'appareil pour préparer une fondue bourguignonne (fondue à l'huile).
- **NE PAS** utiliser l'appareil pour préparer une fondue au fromage ou au chocolat sans le bol en céramique pour bain-marie prévu à cet effet (vendu séparément).
- **NE PAS** laisser le cordon en contact avec des surfaces chaudes. Disposer le cordon ou toute autre rallonge électrique utilisée de façon à ne pas trébucher.
- **NE PAS** laisser le cordon d'alimentation pendre d'une table ou d'un comptoir.
- **NE PAS** immerger la base électrique dans l'eau pour la nettoyer. Le chaudron en acier peut être immergé pour être nettoyé, mais ne doit pas être mis au lave-vaisselle. L'anneau et les paniers peuvent être immergés dans l'eau ou nettoyés au lave-vaisselle.
- **NE PAS** donner de coup sur l'appareil ou le laisser tomber.
- **NE PAS** toucher la base électrique ou le chaudron lorsque l'appareil est en fonction, ou avant qu'ils n'aient eu le temps de refroidir, même si le bouton de contrôle de la température est réglé en position d'arrêt identifiée par un point (·).
- **NE PAS** utiliser l'appareil avec un minuteur ou un dispositif programmable externe.
- **NE PAS** déposer la base électrique sur une surface chaude.
- **NE PAS** mélanger différents corps gras et huiles dans le chaudron.
- **NE PAS** surchauffer les corps gras et les huiles dans le chaudron.
- **NE PAS** déplacer l'appareil et la base électrique avant qu'ils aient refroidi.
- **NE PAS** utiliser de produits nettoyants abrasifs pour nettoyer les différentes pièces du produit.
- **NE PAS** faire chauffer l'appareil à vide.
- **NE PAS** utiliser les composants du produit Fondussimo sur un produit d'une autre marque, et vice-versa.
- **NE PAS** utiliser la base électrique sans que le chaudron y soit installé.
- Pour prévenir les chocs électriques, **NE PAS** tremper le cordon électrique, la fiche ou la base électrique de l'ensemble à fondue dans l'eau ou dans un autre liquide.
- **ÉVITER** tout contact de la peau avec les surfaces chaudes de l'appareil en utilisant toujours ses poignées.
- Si les liquides que vous faites chauffer dans le chaudron venaient à prendre en feu, **NE PAS** essayer d'éteindre la flamme avec de l'eau. Bloquer complètement l'entrée d'air au-dessus du récipient avec un couvercle ou un chiffon humide pour étouffer la flamme.
- Toujours régler la température à la position d'arrêt indiquée par un point (·), débrancher l'appareil et le laisser refroidir avant de le nettoyer.
- L'utilisation d'accessoires non recommandés par le fabricant de l'appareil pourrait entraîner un incendie, un choc électrique ou des blessures.

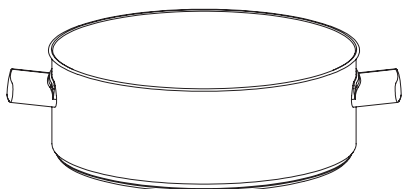
- Lors de périodes d'utilisation prolongée, le chaudron et la base électrique peuvent devenir chauds; les déplacer à l'aide des poignées du chaudron ou en utilisant des mitaines de four.
- Faites preuve d'une grande prudence lorsque vous utilisez ou déplacez un chaudron à fondue contenant un liquide chaud. Un chaudron à fondue contenant des liquides chauds ne devrait jamais être laissé sans surveillance.
- L'usage de cet appareil est destiné exclusivement aux adultes, et il ne doit en aucun cas être utilisé par des enfants sans la supervision d'un adulte.
- Toujours s'assurer que le chaudron est bien centré sur la base électrique lors de l'utilisation de l'appareil.
- Toujours débrancher l'appareil en tirant sur la fiche, et non sur le cordon électrique.
- Toujours débrancher l'appareil lorsqu'il n'est pas utilisé et avant de le nettoyer.
- Toujours laisser l'appareil refroidir avant d'y installer ou d'y retirer des pièces.
- Cet appareil est conçu pour être utilisé dans un environnement intérieur. Si vous souhaitez utiliser cet appareil à l'extérieur, assurez-vous qu'il soit à l'abri des intempéries.
- Cet appareil est conçu pour fonctionner avec une prise de courant de tension standard de 120 volts. Il est doté d'une fiche à trois conducteurs et d'un cordon électrique magnétique détachable.
- Il n'est pas recommandé d'utiliser des ustensiles en métal avec l'appareil, car ils pourraient endommager son revêtement.
- Le cordon d'alimentation de l'appareil de 100 cm (40 po) correspond aux normes en vigueur pour les appareils de ce type.
- L'appareil pourra être utilisé avec une rallonge électrique compatible à 3 conducteurs homologuée UL. Veuillez rester vigilant pour éviter les accidents.

Le non-respect de ces consignes de sécurité peut entraîner l'annulation de la Garantie.

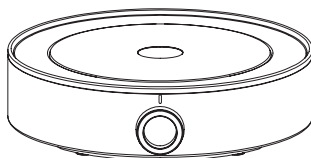
Description des pièces

POÊLE ÉLECTRIQUE

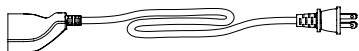
CHAUDRON EN ACIER DURABLE
D'UNE CAPACITÉ DE 3 LITRES



BASE ÉLECTRIQUE AMOVIBLE
AVEC GRADATEUR DE CHALEUR

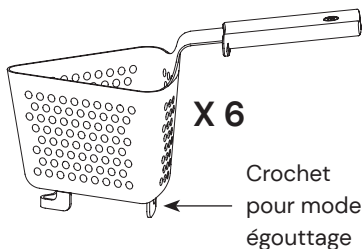


CORDON ÉLECTRIQUE MAGNÉTIQUE DÉTACHABLE DE 100 CM (40 PO)



ACCESSOIRES POUR LA FONDUE À BOUILLON

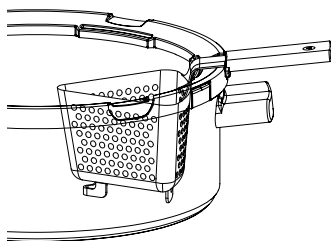
PANIER PERFORÉS EN ACIER INOXYDABLE



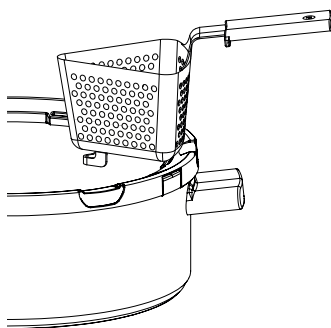
ANNEAU DE FIXATION DES PANIERS



Mode
cuisson



Mode
égouttage



Consignes d'utilisation

AVANT LA PREMIÈRE UTILISATION

Laver le chaudron, l'anneau et les paniers à l'eau chaude savonneuse. Bien rincer et essuyer. Retirer l'autocollant d'avertissement de la base électrique, passer un chiffon humide, puis essuyer.

En raison des enduits protecteurs utilisés lors de la fabrication du produit, une légère fumée et une odeur de brûlé pourraient se dégager pendant quelques minutes lors de la première utilisation.

Avant la première utilisation, veuillez lire intégralement les **Mises en garde importantes** débutant à la page 20.

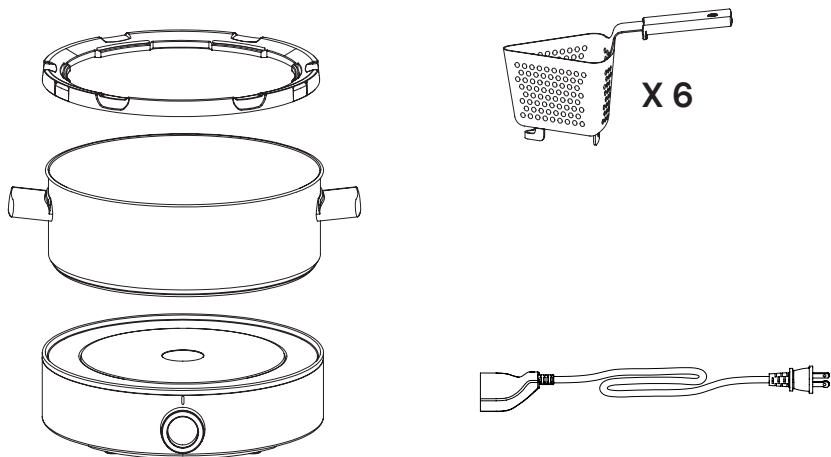
CONSIGNES D'UTILISATION DE L'APPAREIL

- Installer l'appareil sur une surface plane, sèche et résistante à la chaleur, dans une pièce bien ventilée.
- Avant de brancher le cordon électrique à une prise de courant de 120 volts, s'assurer que le contrôleur de température soit au réglage d'arrêt identifié par un point (·).
- Votre appareil dispose de cinq niveaux de température allant du moins chaud (I) au plus chaud (IIII). Utilisez le gradateur de chaleur pour ajuster la température pendant la cuisson afin d'obtenir le résultat souhaité. L'élément chauffant maintiendra la température sélectionnée.
- L'indicateur lumineux s'allumera pour indiquer que l'appareil chauffe. L'élément chauffant et l'indicateur lumineux s'éteignent lorsque le niveau de température sélectionné est atteint. L'élément s'activera à nouveau lorsqu'il aura refroidi.
- Lorsque votre utilisation est terminée, régler le contrôleur de température à la position d'arrêt identifiée par un point (·). Débrancher le cordon électrique de la prise de courant.

ATTENTION: La base électrique devient très chaude lors de l'utilisation. Toujours laisser l'appareil refroidir complètement avant de le manipuler.

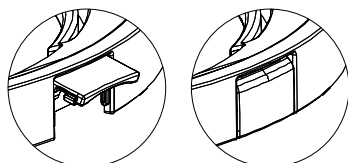
CONSIGNES POUR LA PRÉPARATION DE FONDUES À BOUILLON

PIÈCES REQUISES POUR L'ASSEMBLAGE



ASSEMBLAGE DU PRODUIT

1. Installer l'anneau sur le chaudron à l'aide des quatre attaches de fixation.



« CLIC! »

2. Déposer le chaudron sur la base électrique.
3. Brancher le cordon électrique à l'appareil, au moment de servir.

POUR LA PRÉPARATION DU BOUILLON SUR LA CUISINIÈRE

1. Placer le produit assemblé au centre de la table.
2. Suivre les instructions de préparation de votre recette préférée.
3. À l'aide d'un pichet, transvider la quantité de bouillon spécifiée dans chaque recette dans le chaudron.
4. Lorsque vous serez prêts à manger, régler le contrôleur de température entre les niveaux (I) et (III). Ajuster le niveau de température durant le repas pour que votre bouillon continue de frémir doucement.
5. Au besoin, ajouter du bouillon au cours du repas pour maintenir son niveau.

POUR LA PRÉPARATION DU BOUILLON DANS LE POÊLE ÉLECTRIQUE

1. Placer le produit assemblé au centre de la table.
2. Suivre les instructions de votre recette préférée ou ajouter du bouillon du commerce dans le chaudron et régler le contrôleur de chaleur à la température souhaitée.
3. Assurez-vous de préparer assez de bouillon pour pouvoir en ajouter durant le repas. Référez-vous toujours aux instructions de chaque recette.
4. Au besoin, ajouter un peu d'eau, de bouillon aromatisé (poulet, légumes, bœuf, autre) ou de bouillon du commerce pendant votre repas.

CONSEILS D'UTILISATION POUR LES FONDUES À BOUILLON

Toujours respecter les Mises en garde importantes débutant à la page 20 et les Consignes d'utilisation de l'appareil de la page 25.

- Suivez toujours les instructions de chaque recette et prévoyez la quantité de bouillon recommandée, surtout lorsque vous préparez des aliments très absorbants (tels que des pâtes ou des légumes racines).
- Pour une expérience optimale, il est préférable de maintenir un léger frémissement du bouillon plutôt qu'une ébullition trop forte.
- Utiliser les encoches dans l'anneau Fondussimo et les pieds des paniers pour les installer en mode cuisson.
- Utiliser les crochets situés sous les paniers pour les fixer à l'anneau en mode «égouttage» au-dessus du chaudron, et ainsi assurer la propreté de votre table.
- Retirer l'anneau et les paniers de votre Fondussimo Evolution pour préparer sautés, risottos, soupes, frittatas et autres régals! Utilisez quelques gouttes d'huile pour éviter que vos aliments ne collent dans le chaudron et garder le contrôleur de chaleur entre les niveaux (I) et (III) pour éviter de les brûler. Le chaudron peut également être utilisé directement sur un rond de votre cuisinière!

Vivez pleinement l'expérience de la fondue réinventée en essayant les dizaines de recettes exclusives disponibles gratuitement sur [Fondussimo.com](https://www.fondussimo.com)!

Entretien et nettoyage

Votre ensemble à fondue ne nécessite qu'un entretien minimal. Si jamais votre appareil présentait une déféctuosité, veuillez nous contacter au 1-855-999-0620, du lundi au vendredi, entre 9h et 17h (HAE), ou en tout temps en nous écrivant à contact@fondussimo.com.

- Toujours laisser l'appareil refroidir avant de procéder à son nettoyage.
- Après l'utilisation, passer un chiffon humide sur la base électrique et bien l'essuyer.
- Faire tremper le chaudron, puis le nettoyer à la main à l'aide d'un savon à vaisselle régulier. Nous recommandons de faire tremper le chaudron et les paniers dès la fin du repas, une fois que le chaudron a refroidi.
- Nous recommandons d'attendre que les composants refroidissent avant de les rincer, soit en les laissant sur l'élément chauffant éteint, ou en les retirant à l'aide de mitaines de four et en les disposant sur un sous-plat ou sur une planche de bois.
- Toujours ranger l'appareil dans un endroit sec et sécuritaire.
- Ne pas utiliser de produits nettoyants abrasifs pour l'entretien de l'appareil.

Garantie

GARANTIE DE BASE D'UN (1) AN

International DCI Inc.³ offre la garantie de base que le produit sera libre de tout défaut de matériaux et de fabrication pour une durée d'un an, à l'exception des exclusions prévues ci-dessous, à compter de la date apparaissant sur la facture d'achat. La facture originale est requise pour l'application de la garantie. La garantie est transférable, mais le réclamant devra présenter la facture pour s'en prévaloir.

COUVERTURE DE LA GARANTIE DE BASE

À l'exception des exclusions prévues ci-dessous, la garantie de base couvre tous les défauts de matériaux ou de fabrication.

Lors d'une réclamation, nous nous réservons le droit de réparer le produit défectueux ou de le remplacer par un produit neuf ou réusiné. Si le modèle du produit défectueux n'est plus disponible, nous nous réservons le droit de le réparer ou de le remplacer par un modèle semblable de valeur équivalente ou supérieure.

PROCÉDURE POUR L'EXÉCUTION DE LA GARANTIE DE BASE

En cas de défectuosité du bien ou d'une mauvaise exécution du service sur lequel porte la garantie de base, International DCI Inc. s'engage à réparer et/ou remplacer les composantes défectueuses ou à remplacer l'appareil au complet. Pour plus de détails, veuillez vous référer au site Internet.

Veuillez vous adresser au service de l'expérience client aux coordonnées suivantes afin de procéder à l'exécution de votre garantie de base :

1-855-999-0620, du lundi au vendredi, entre 9h et 17h (HAE),
ou en tout temps en écrivant à contact@fondussimo.com.

Seulement International DCI Inc., ou toute autre personne désignée par cette dernière par écrit, est autorisé à exécuter la garantie de base.

³ Société légalement constituée et régie en vertu de la Loi sur les sociétés par actions (Québec), ayant son siège social au 435, route 108 Est, Saint-Victor (Québec) GOM 2B0.

CESSION DE LA GARANTIE DE BASE

La garantie de base peut être cédée, mais le réclamant devra présenter la facture d'achat du produit pour s'en prévaloir.

EXCLUSIONS DE LA GARANTIE DE BASE

La garantie de base ne s'applique pas dans les situations suivantes :

- Une utilisation du produit contraire aux dispositions du présent Guide d'utilisation ;
- Une chute du produit ou tout autre dommage causé par des facteurs humains ;
- Le démontage du produit et/ou une tentative de réparation du produit par l'utilisateur ;
- Tout dommage causé à l'appareil par un accident, une faute ou une négligence de l'utilisateur, un usage abusif de l'appareil ou des dommages intentionnels ;
- Tout dommage pouvant découler d'une utilisation de l'appareil en contravention au présent Guide d'utilisation, incluant notamment mais sans s'y limiter un sinistre, un incendie, une brûlure ou un quelconque accident ; et
- La décoloration, les égratignures, l'écaillage ou la surchauffe en raison d'un usage dans un environnement commercial. Cette garantie ne couvre pas l'usure normale du produit.

LA GARANTIE EST ANNULÉE PAR :

- Une utilisation du produit ne respectant pas le Guide d'utilisation ;
- Une chute du produit ou tout autre dommage causé par des facteurs humains ;
- Le démontage du produit et/ou une tentative de réparation du produit par l'utilisateur ;
- Un accident, une mauvaise utilisation, un usage abusif du produit ou des dommages intentionnels au produit ; et
- La décoloration, les égratignures, l'écaillage ou la surchauffe en raison d'un usage dans un environnement commercial.

La présente garantie est la seule garantie, implicite ou expresse, que nous offrons, à l'exception de notre Garantie prolongée dont les termes sont énoncés plus bas.

- Le fabricant se réserve le droit de modifier le produit sans préavis.
- Le contenu de ce mode d'emploi a été vérifié. Sous réserve de modification et d'erreurs.

GARANTIE PROLONGÉE DE QUATRE (4) ANS

International DCI Inc.⁴ offre une garantie prolongée additionnelle de quatre (4) ans à compter de l'expiration de la garantie de base pour tous les clients ayant acheté leur produit directement sur Fondussimo.com, ainsi qu'à tous les clients enregistrant leur produit à l'aide du carton autocollant apposé au fond du chaudron Fondussimo, pour une durée totale de cinq (5) ans combinés avec la garantie de base.

Pour les clients ayant enregistré leur appareil, la garantie prolongée s'applique à compter de la date de fin de la garantie de base incluse avec le produit, qui prend elle-même fin un (1) an après la date d'achat apparaissant sur la facture originale.

COUVERTURE DE LA GARANTIE PROLONGÉE

À l'exception des exclusions prévues ci-dessous, la garantie prolongée couvre tous les défauts de matériaux ou de fabrication tel que prévu pour la garantie de base.

Lors d'une réclamation, nous nous réservons le droit de réparer le produit défectueux ou de le remplacer par un produit neuf ou réusiné. Si le modèle du produit défectueux n'est plus disponible, nous nous réservons le droit de le réparer ou de le remplacer par un modèle semblable de valeur équivalente ou supérieure. Cette garantie prolongée est appliquée selon les mêmes termes que la Garantie de base détaillée plus haut.

PROCÉDURE POUR L'EXÉCUTION DE LA GARANTIE PROLONGÉE

En cas de défectuosité du bien ou d'une mauvaise exécution du service sur lequel porte la garantie prolongée, International DCI Inc. s'engage à réparer et/ou remplacer les composantes défectueuses ou à remplacer l'appareil au complet. Pour plus de détails, veuillez vous référer au site Internet.

Veuillez vous adresser au service de l'expérience client aux coordonnées suivantes afin de procéder à l'exécution de votre garantie de prolongée :

1-855-999-0620, du lundi au vendredi, entre 9h et 17h (HAE),
ou en tout temps en écrivant à contact@fondussimo.com.

Seulement International DCI Inc., ou toute autre personne désignée par cette dernière par écrit, est autorisé à exécuter la garantie prolongée.

⁴ Société légalement constituée et régie en vertu de la Loi sur les sociétés par actions (Québec), ayant son siège social au 435, route 108 Est, Saint-Victor (Québec) GOM 2B0.

CESSION DE LA GARANTIE PROLONGÉE

La garantie prolongée peut être cédée, mais le réclamant devra présenter la facture d'achat du produit pour s'en prévaloir.

EXCLUSION DE LA GARANTIE PROLONGÉE

La garantie prolongée ne s'applique pas dans les situations suivantes :

- Une utilisation du produit contraire aux dispositions du présent guide d'utilisation ;
- Une chute du produit ou tout autre dommage causé par des facteurs humains ;
- Le démontage du produit et/ou une tentative de réparation du produit par l'utilisateur ;
- Tout dommage causé à l'appareil par un accident, une faute ou une négligence de l'utilisateur, un usage abusif de l'appareil ou des dommages intentionnels ;
- La décoloration, les égratignures, l'écaillage ou la surchauffe en raison d'un usage dans un environnement commercial ; et
- Tout dommage pouvant découler d'une utilisation de l'appareil en contravention au présent Guide d'utilisation, incluant notamment mais sans s'y limiter un sinistre, un incendie, une brûlure ou un quelconque accident.

Retour et remboursement

Vous avez dix (10) jours suivant la réception de votre commande pour demander un remboursement. Pour que celui-ci soit offert, la marchandise doit être retournée dans son état initial, c'est-à-dire non-utilisée, emballée dans son emballage d'origine non-abîmé et contenant tous les accessoires, pièces et manuels fournis par le fabricant.

Au-delà des (10) jours suivant la réception de votre commande, seuls les produits défectueux pourront faire l'objet d'un retour en vue d'un échange.

POUR RETOURNER LA MARCHANDISE ET ÊTRE REMBOURSÉ :

1. Communiquez avec notre service de l'expérience client en composant le 1-855-999-0620, du lundi au vendredi, entre 9h et 17h (HAE), ou en tout temps en nous écrivant à contact@fondussimo.com.
2. Une fois que nous aurons reçu et vérifié votre demande et que les produits auront été reçus à notre entrepôt, nous vous rembourserons le prix payé pour le ou les produits retournés.
3. Veuillez noter que pour qu'un retour et remboursement soit accepté, les produits ne doivent pas avoir été utilisés et doivent être retournés intacts.

FONDUSSIMO.COM

