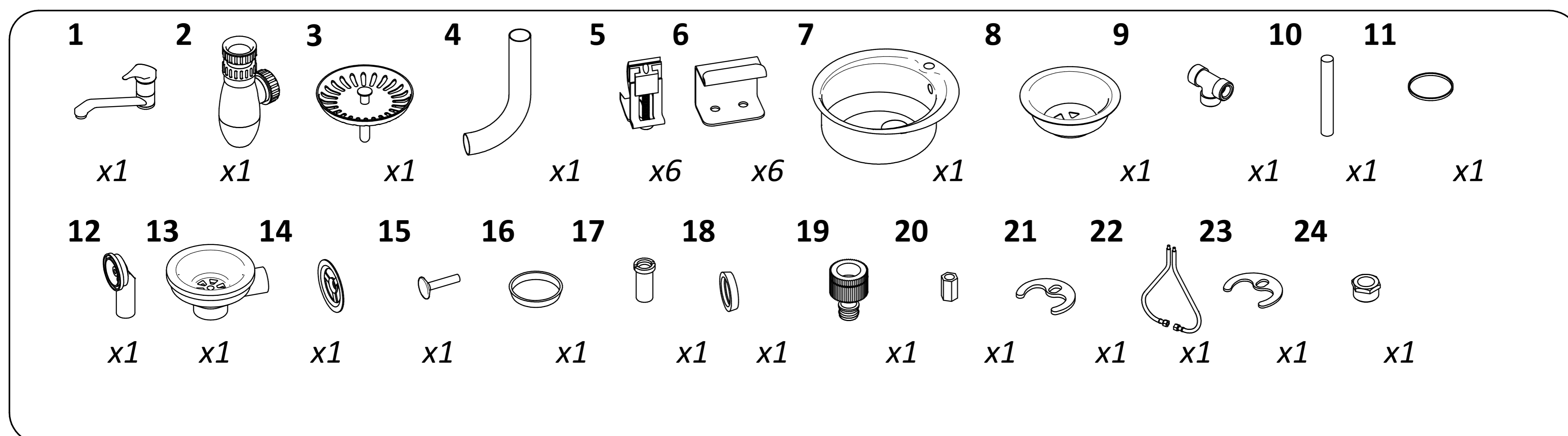
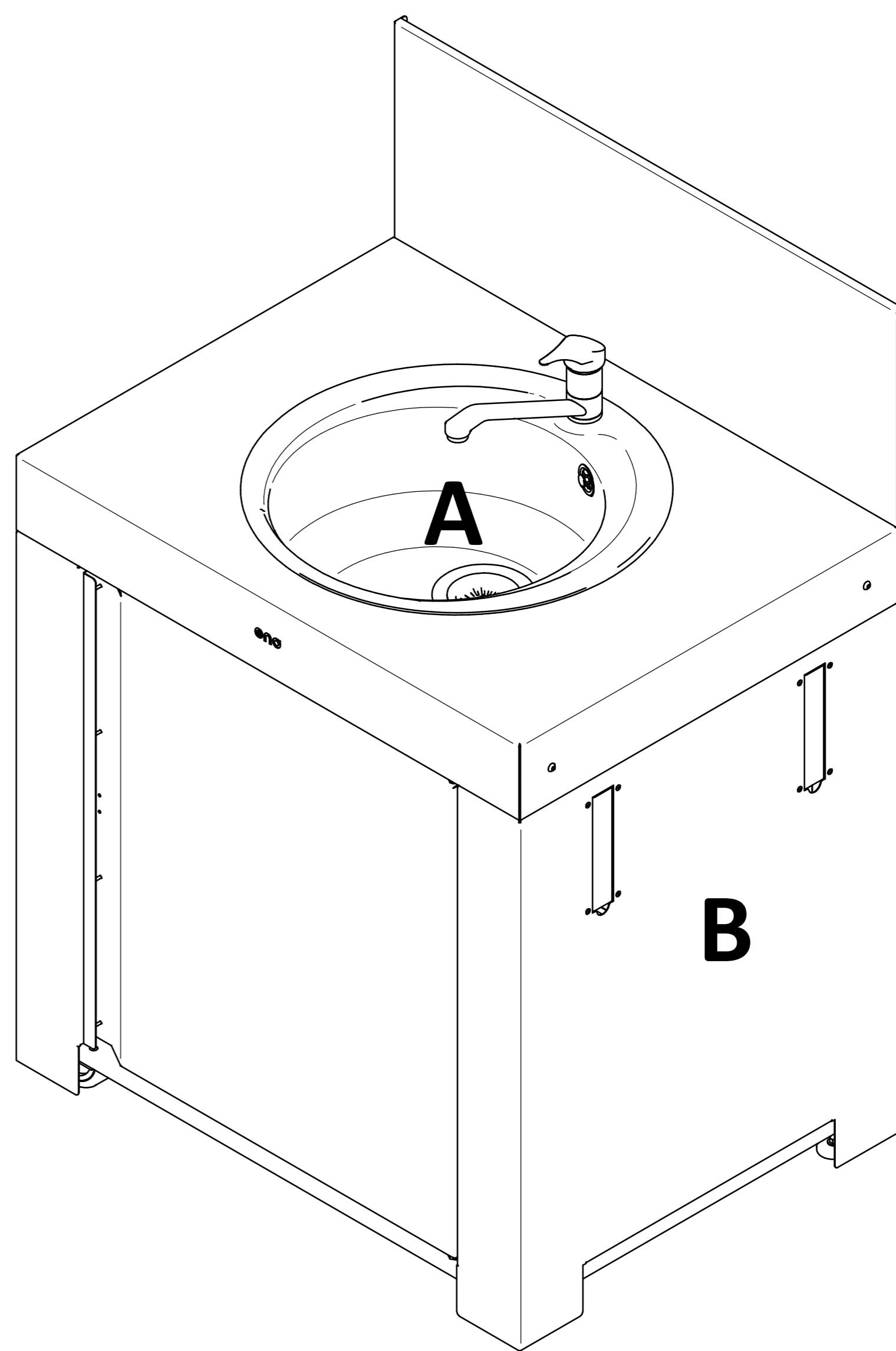
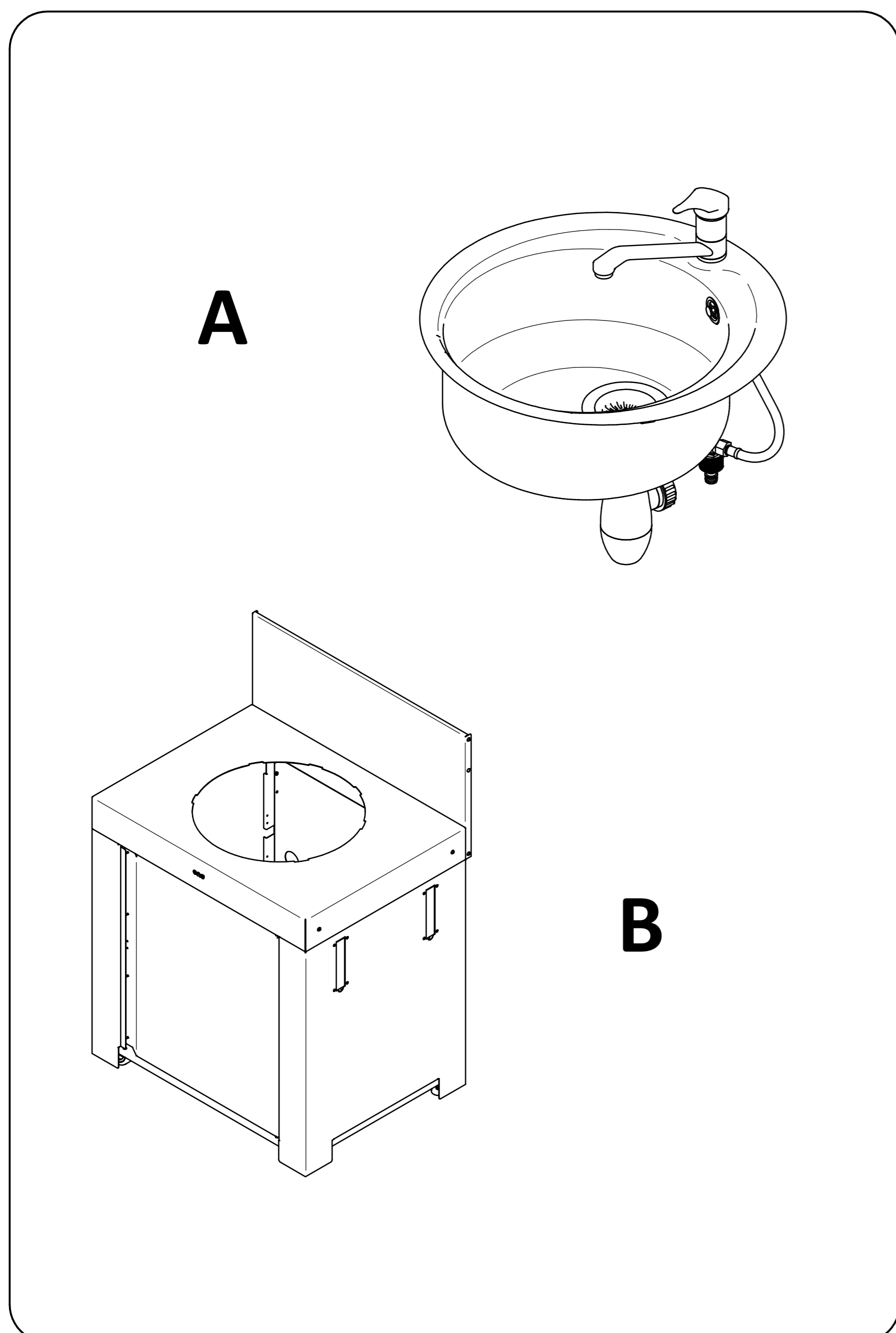


# Evier/Sink



30 min  
 x1

Outils non fournis/Tools not provided/Nicht gefnerlierte Werkzeuge

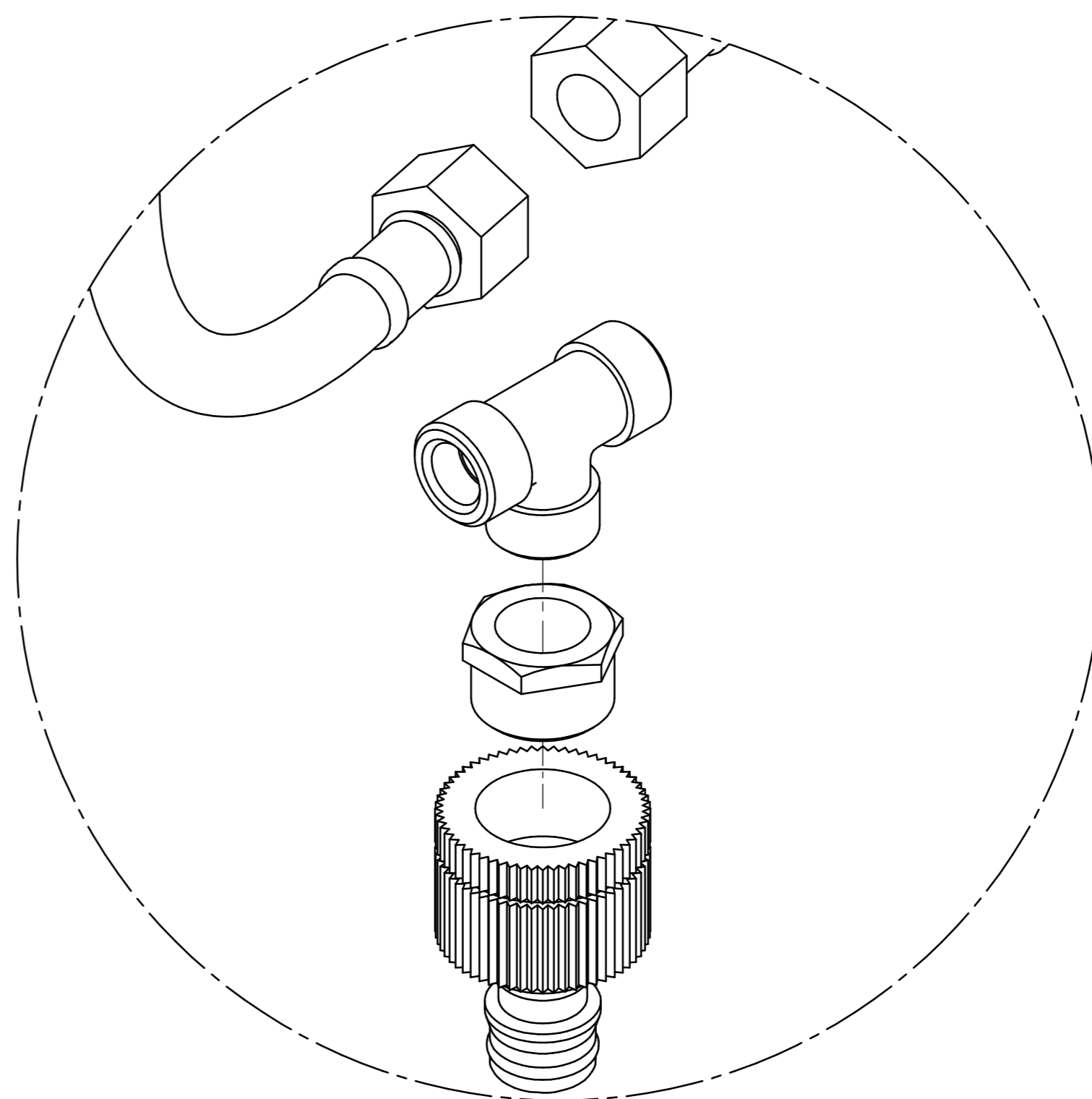
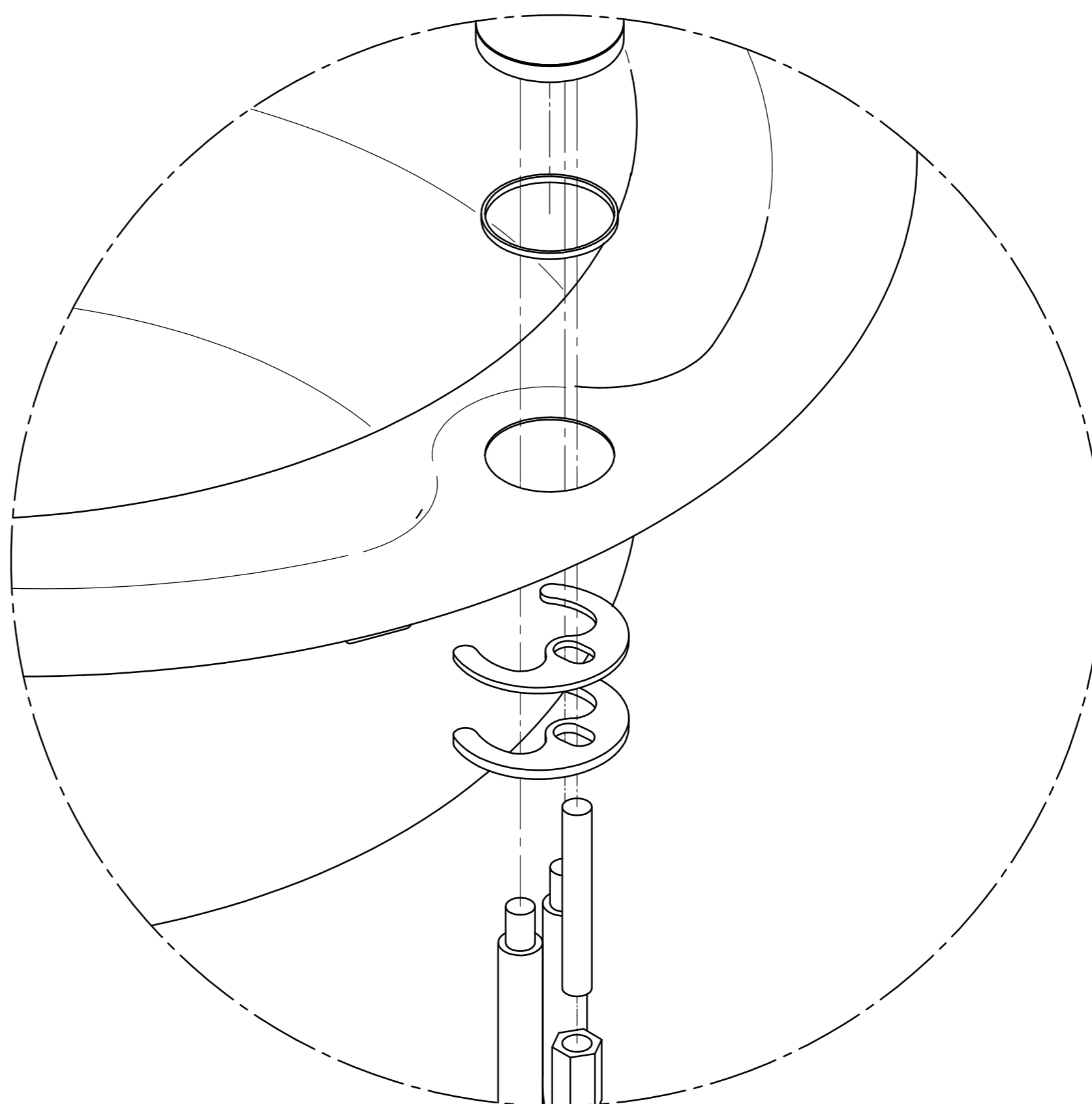
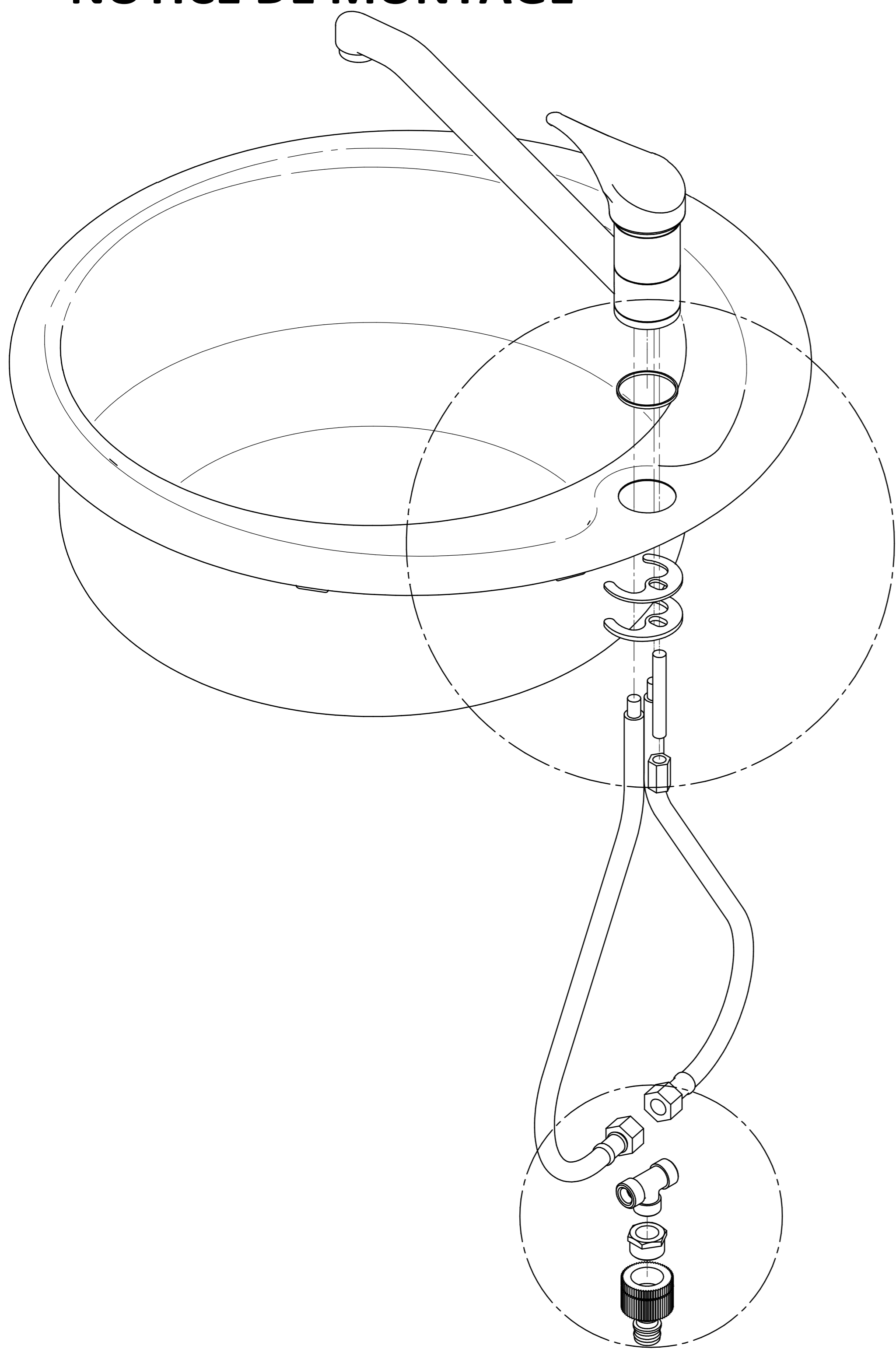
T1

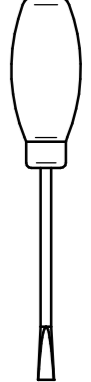

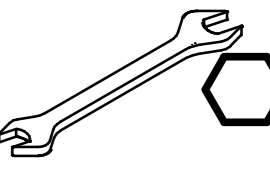
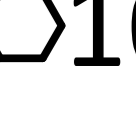
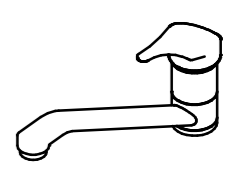


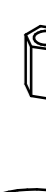
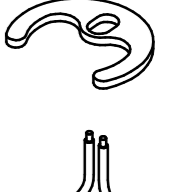
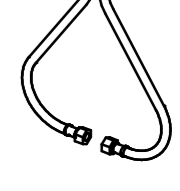




T2

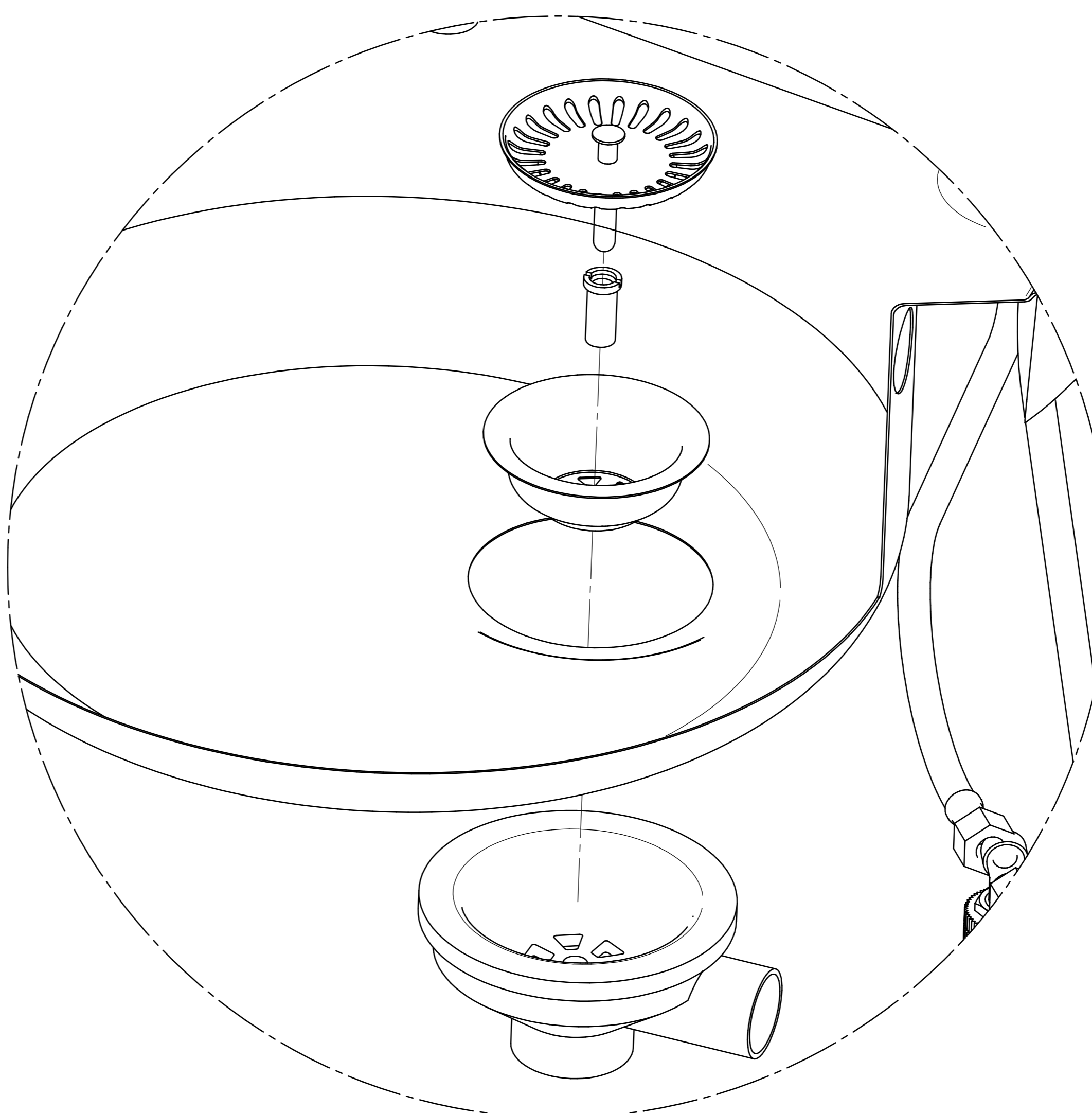
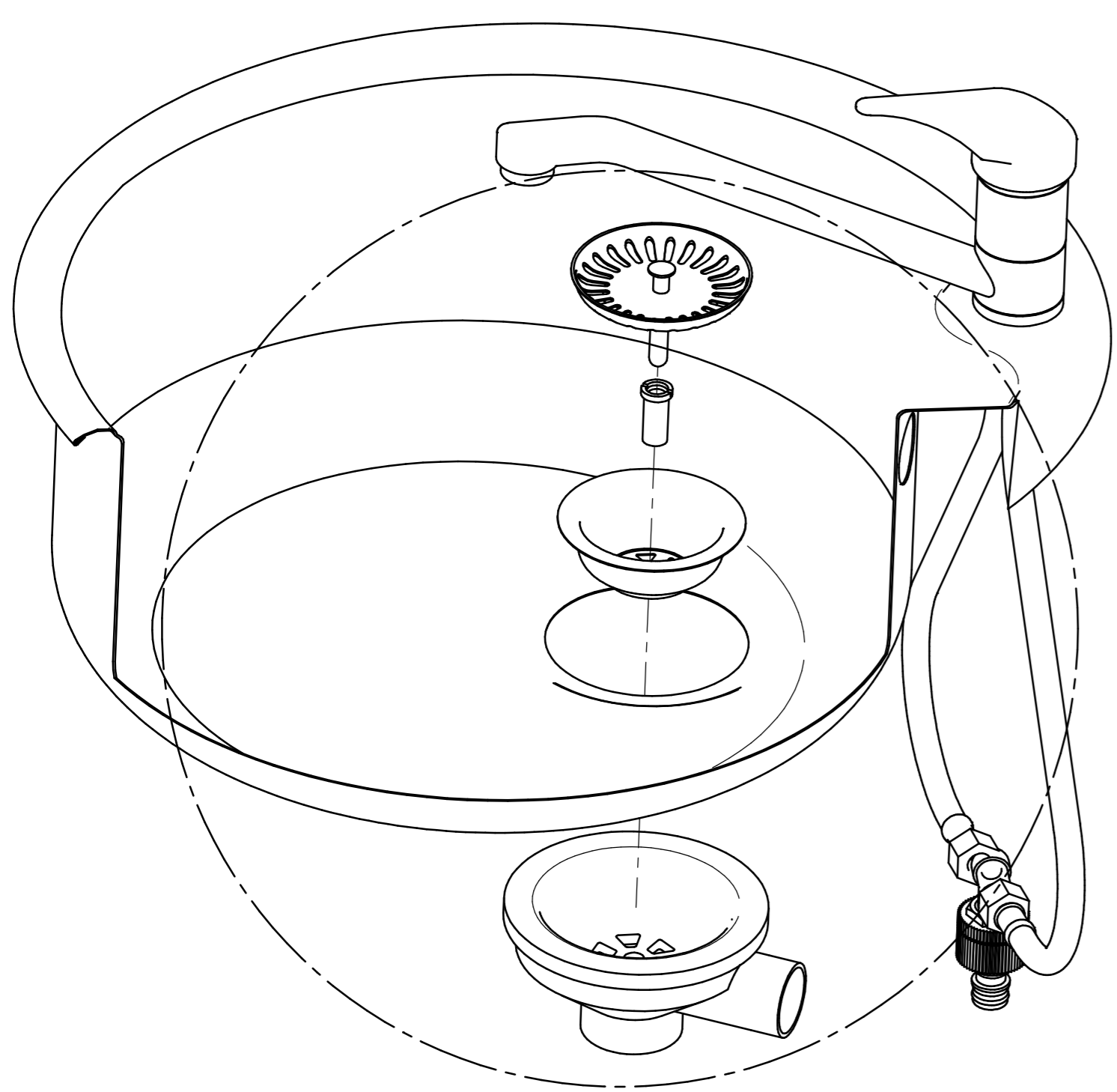
T3

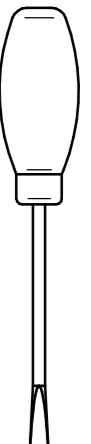

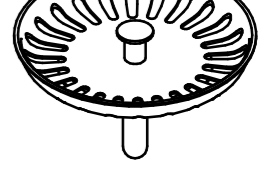
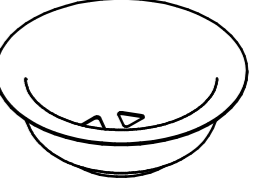


⊕    ⦶ 11    ⊕ ⊖

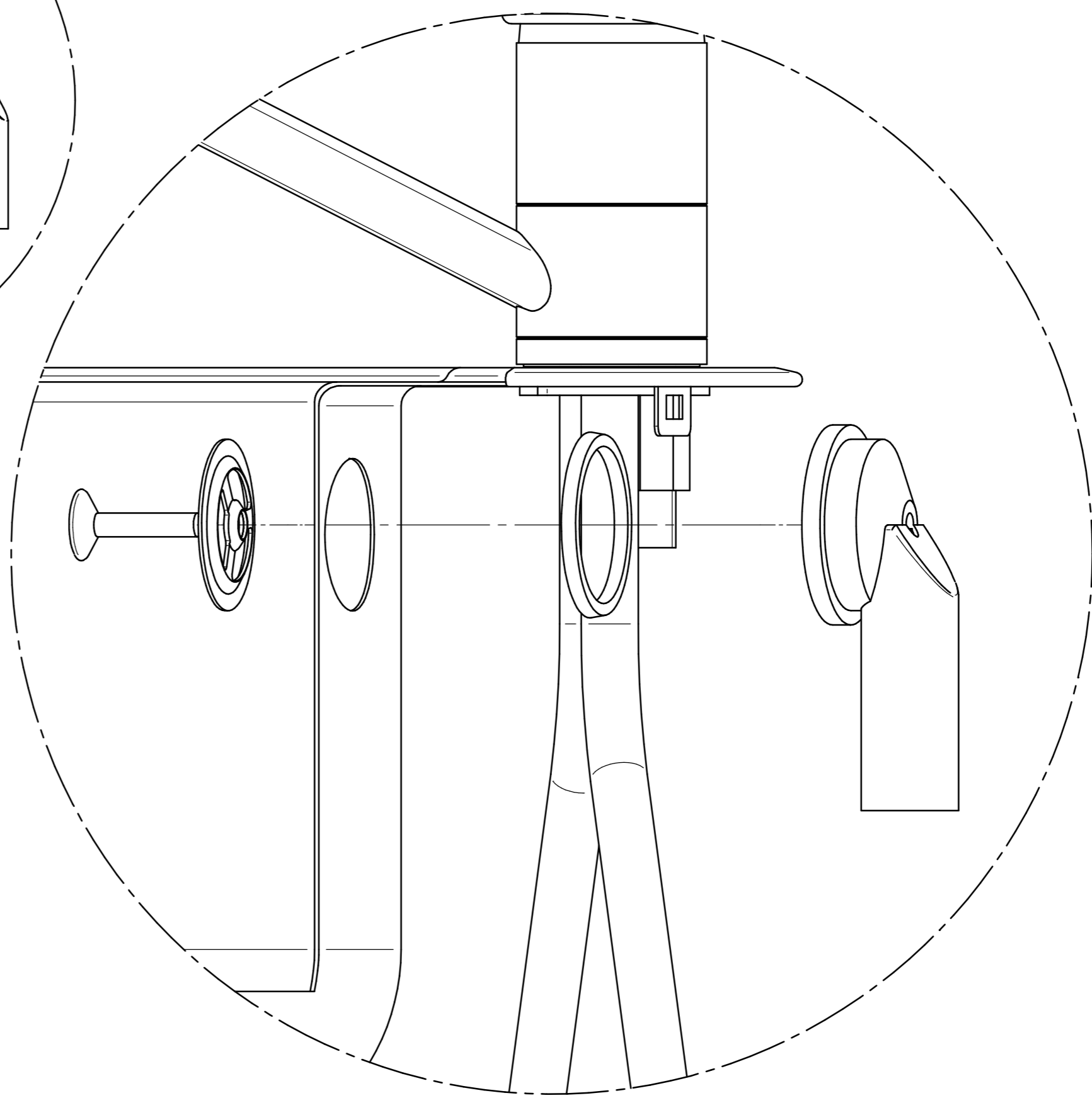
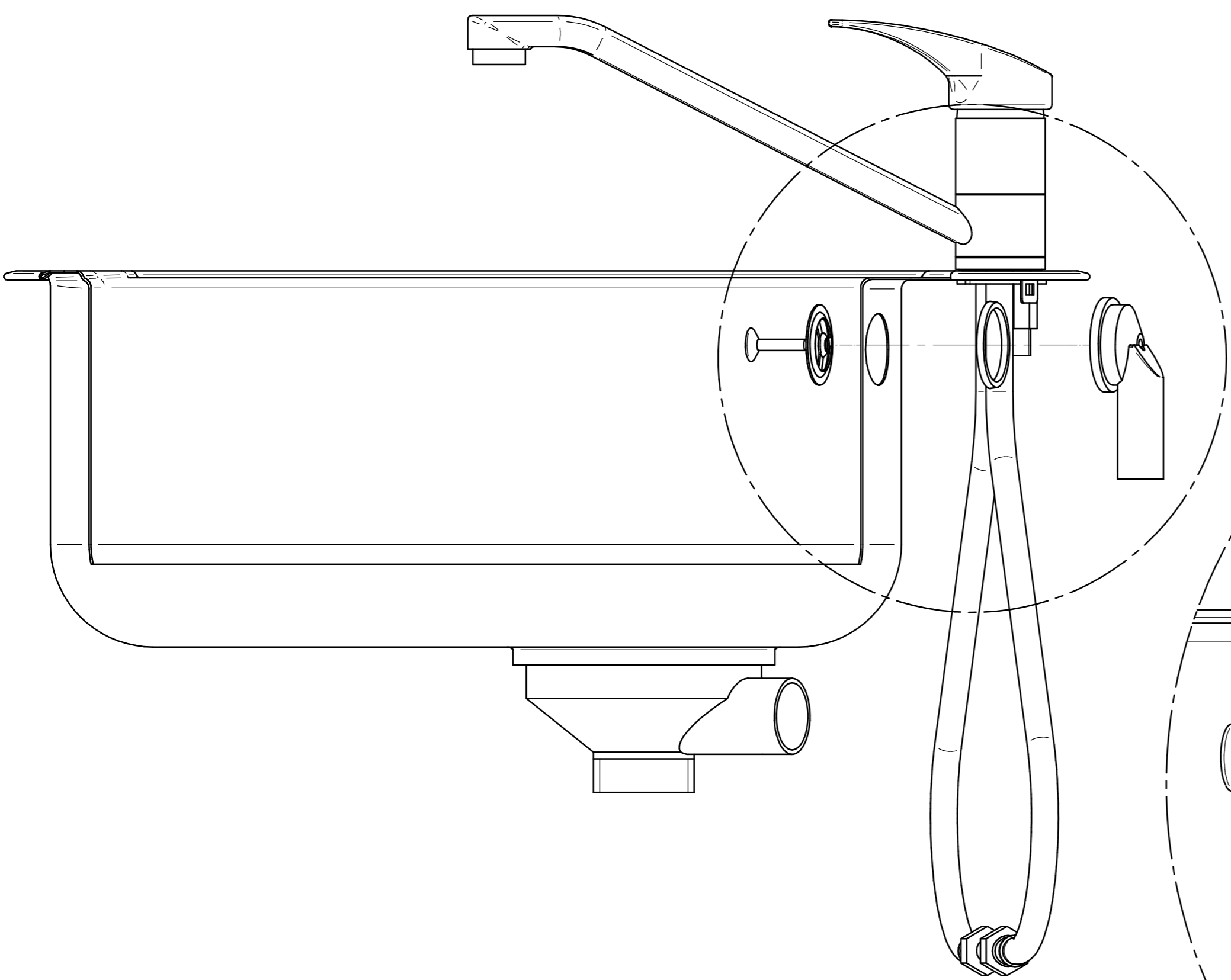
# NOTICE DE MONTAGE



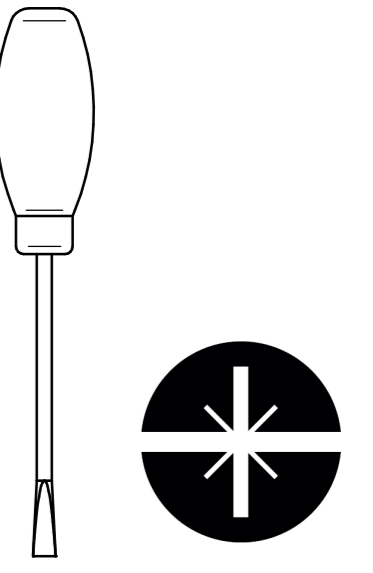
- # 1
- T3  
  - T2  
  - 1  x1
  - 10  x1
  - 11  x1
  - 20  x1
  - 21  x1
  - 22  x1
  - 23  x1
  - 19  x1
  - 9  x1
  - 24  x1



- # 2
- T2  
  - 3  x1
  - 8  x1
  - 13  x1
  - 17  x1



T2



12 x1



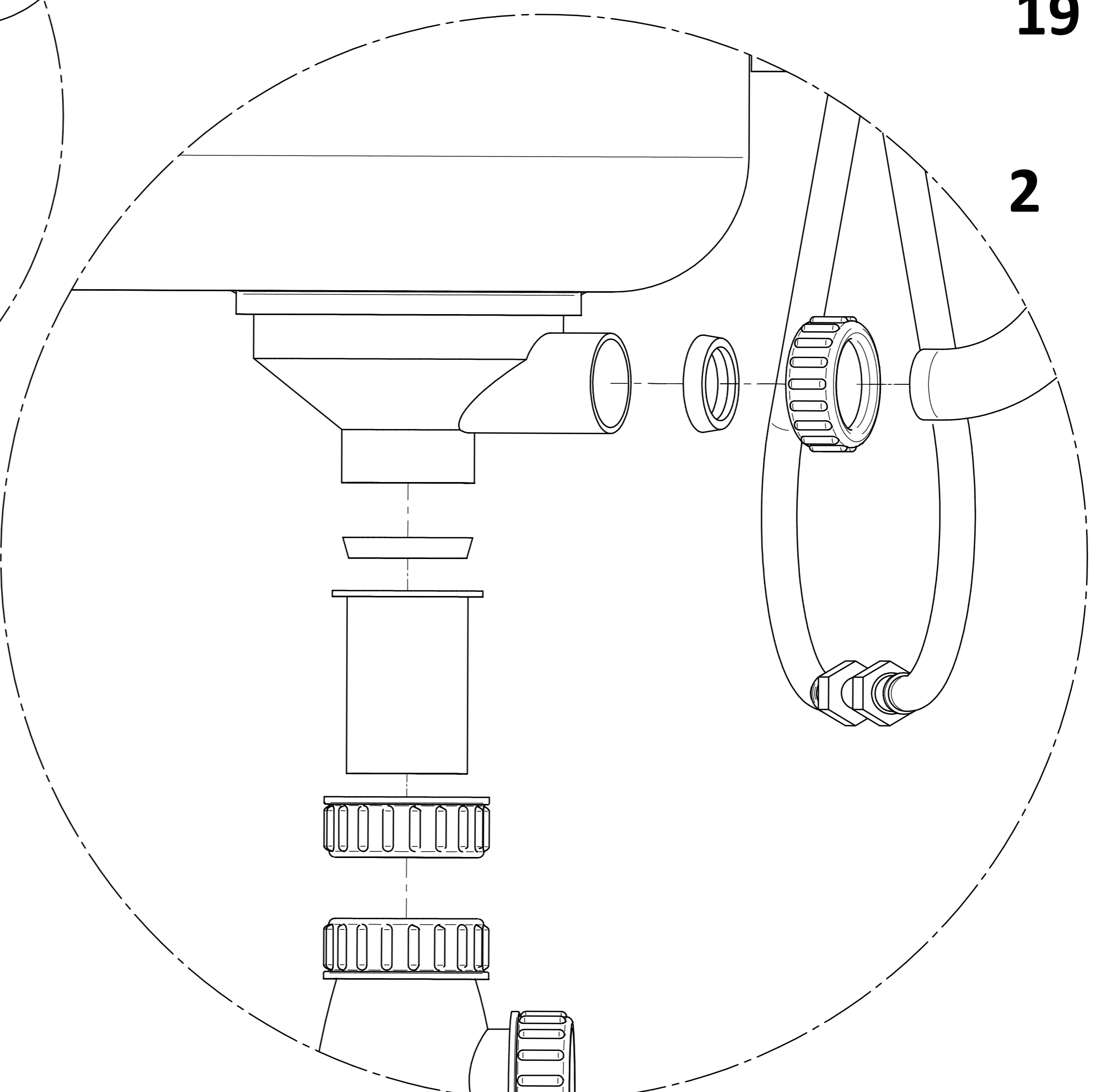
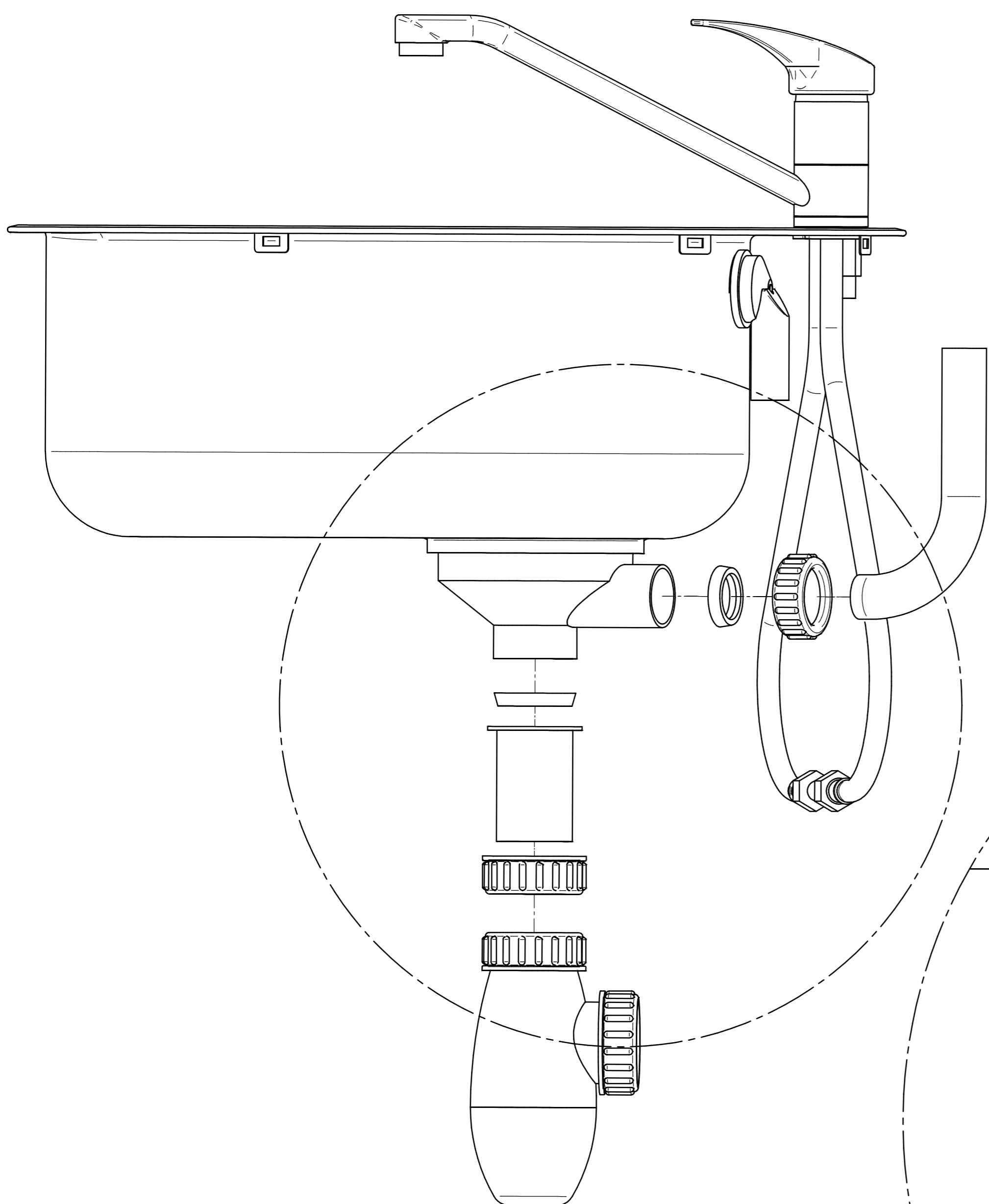
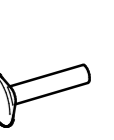
14 x1



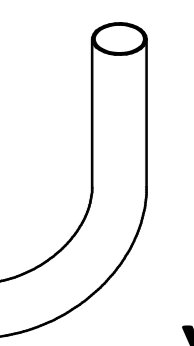
15 x1



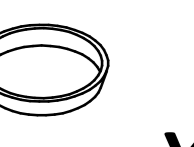
18 x1



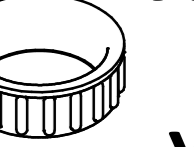
4 x1



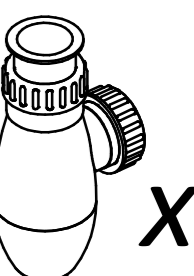
16 x2



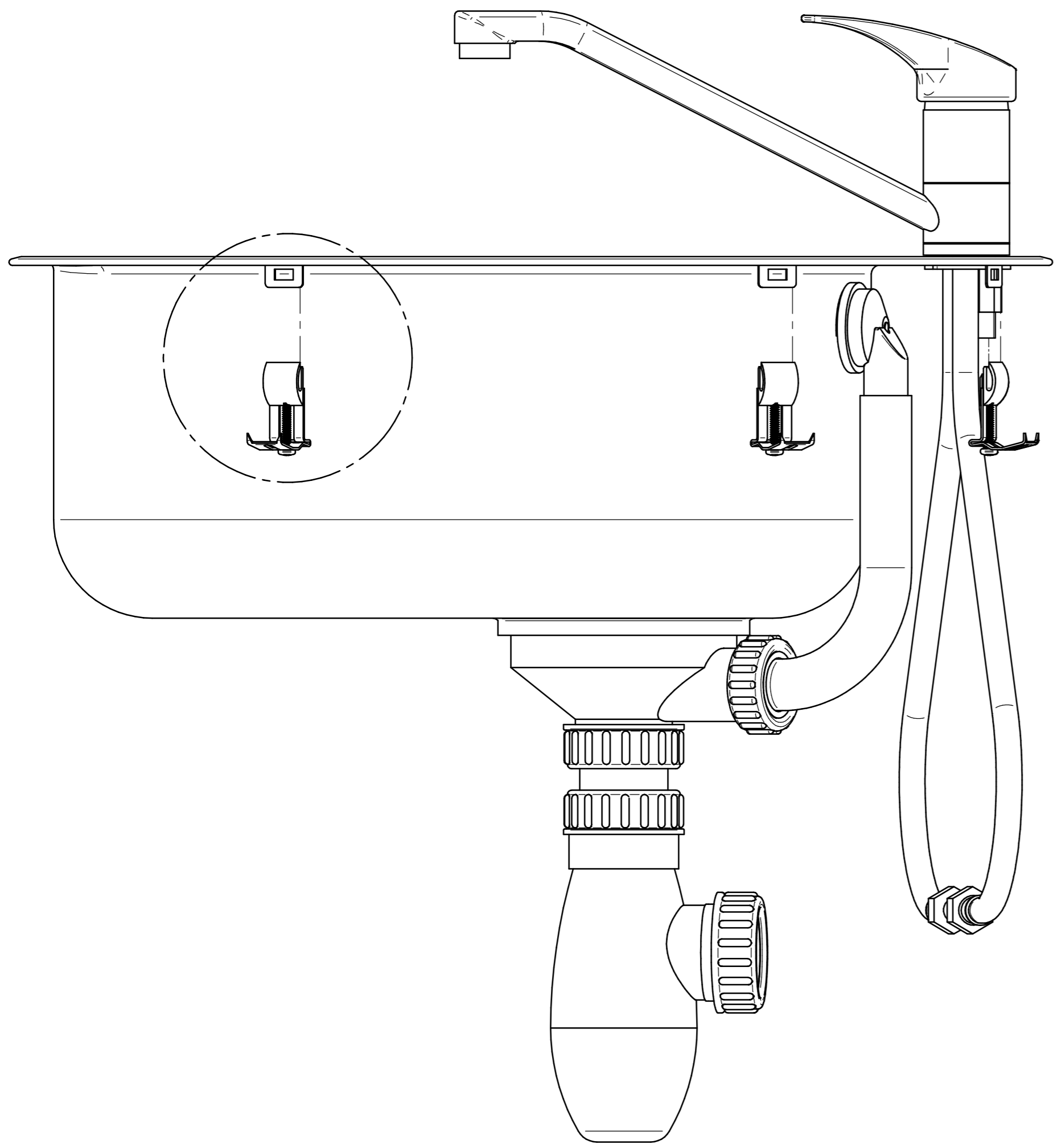
19 x1

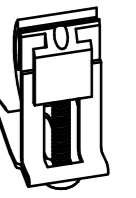


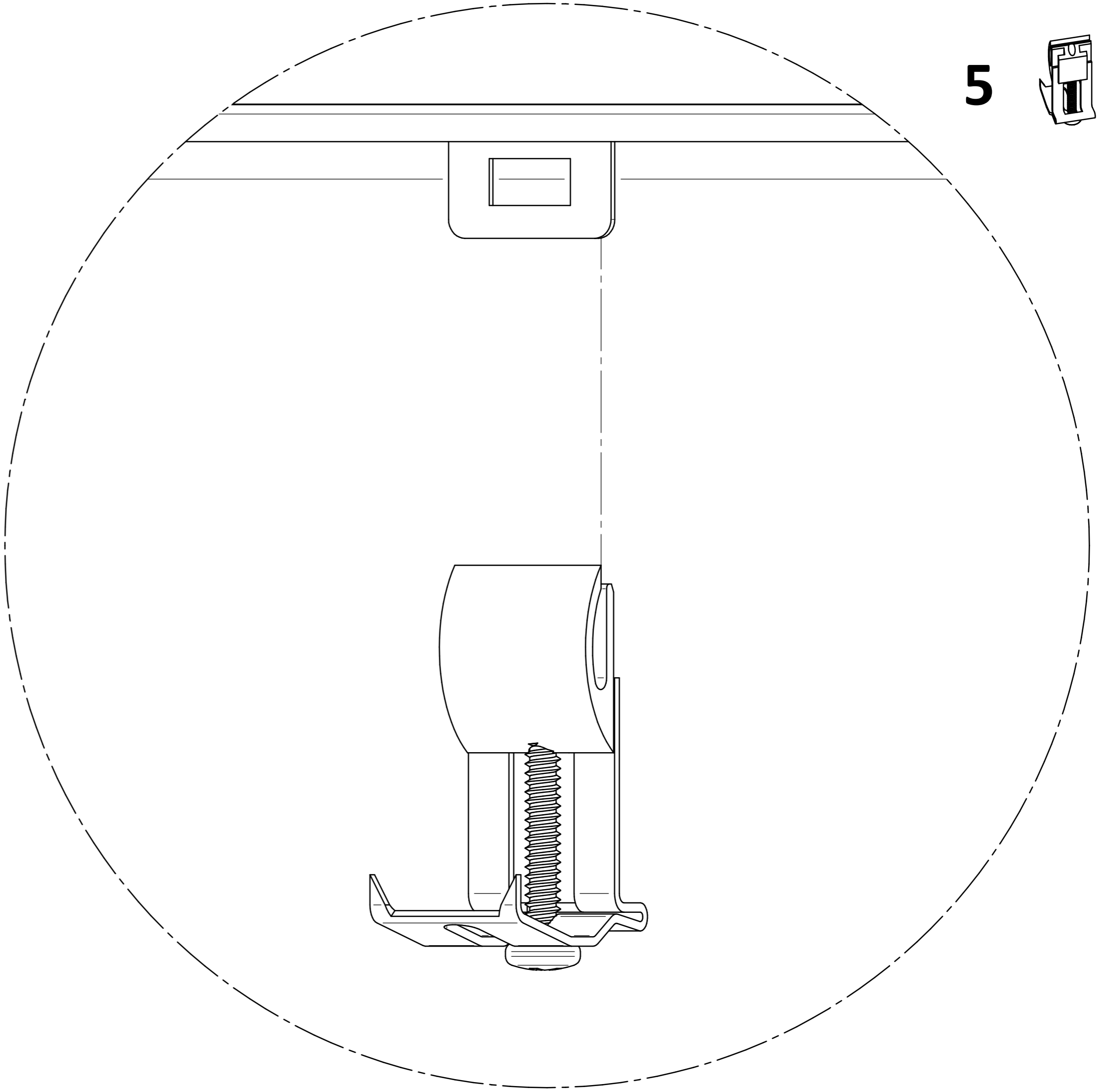
2 x1



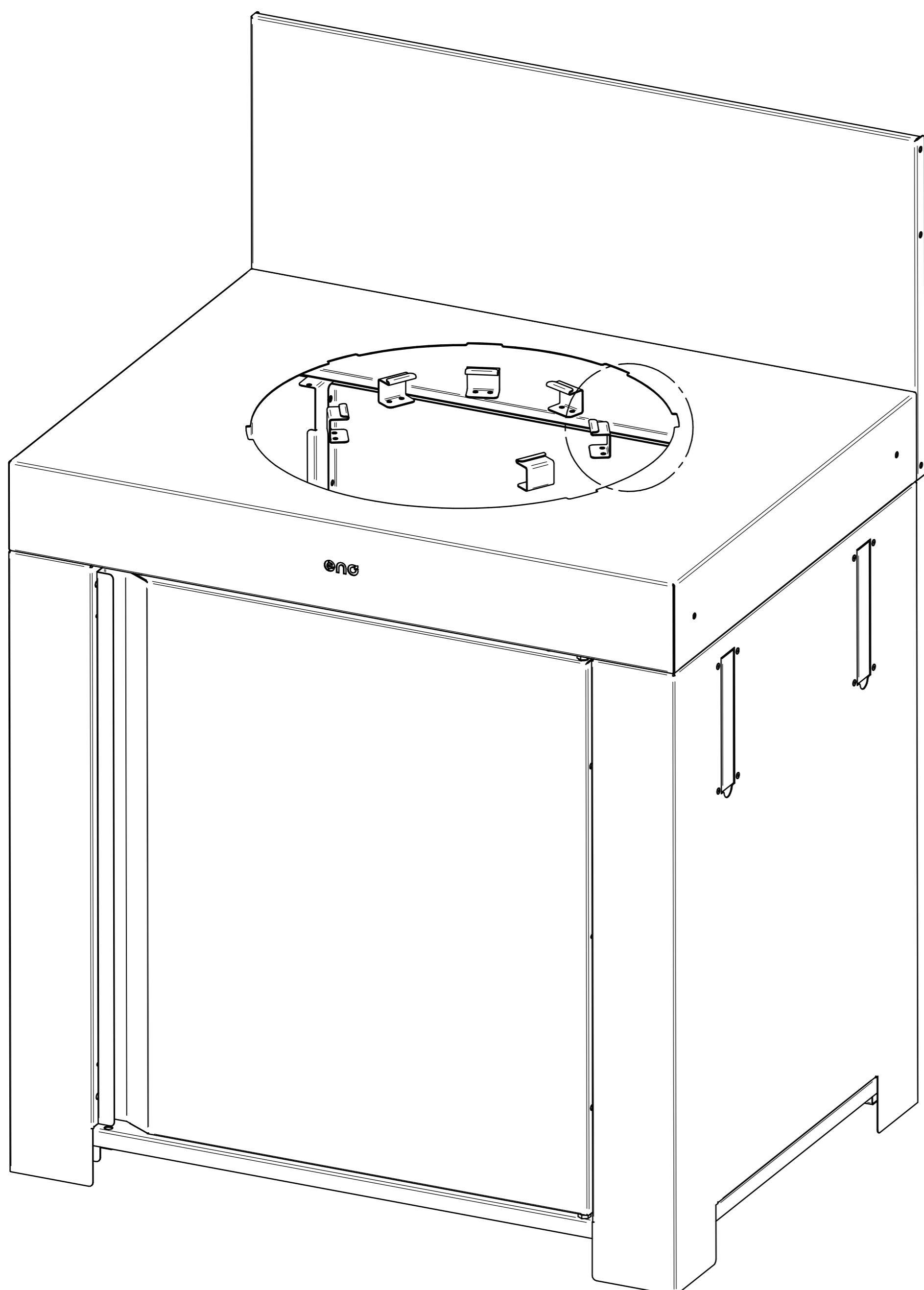
5

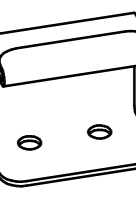


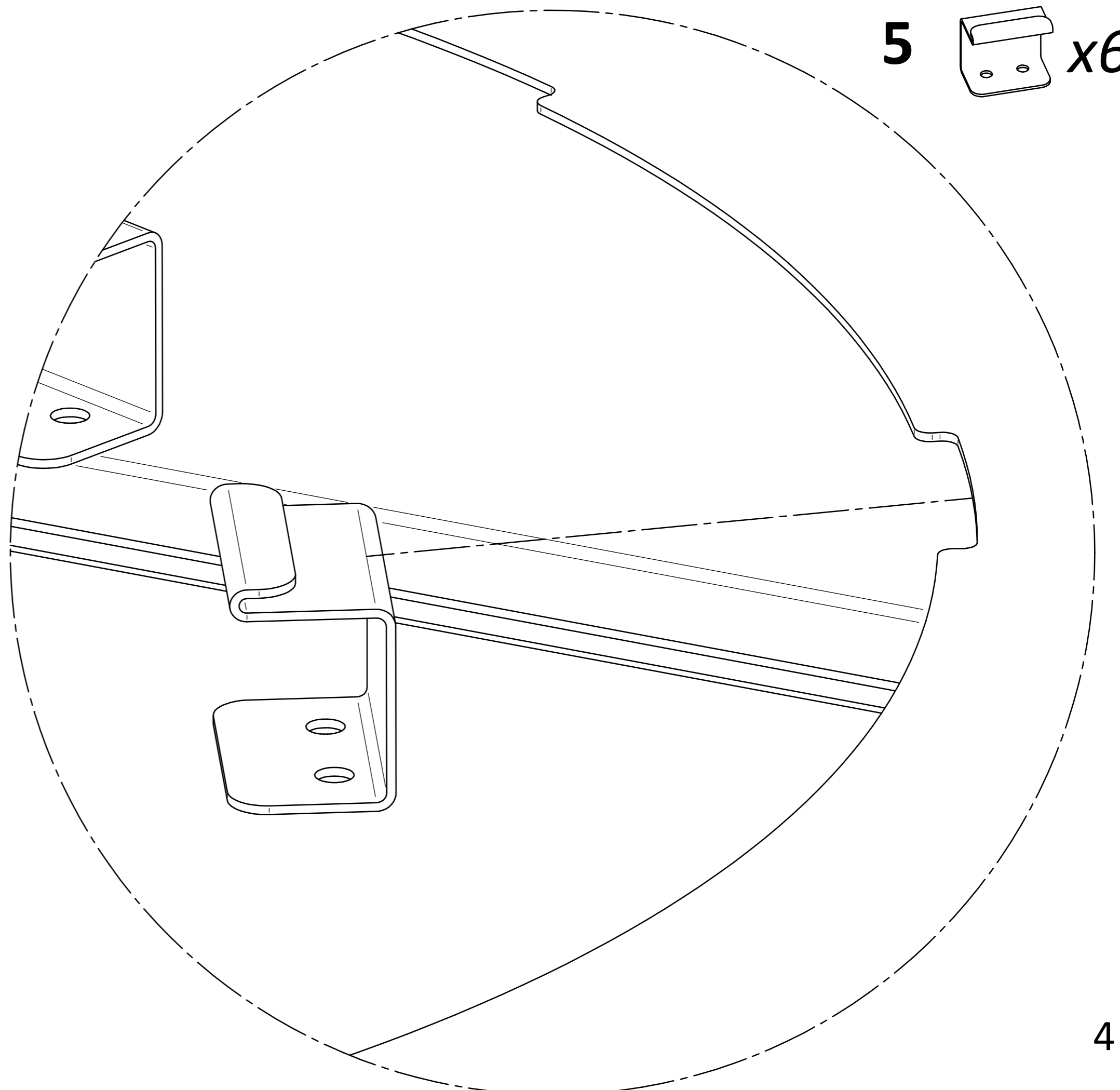
5  x6



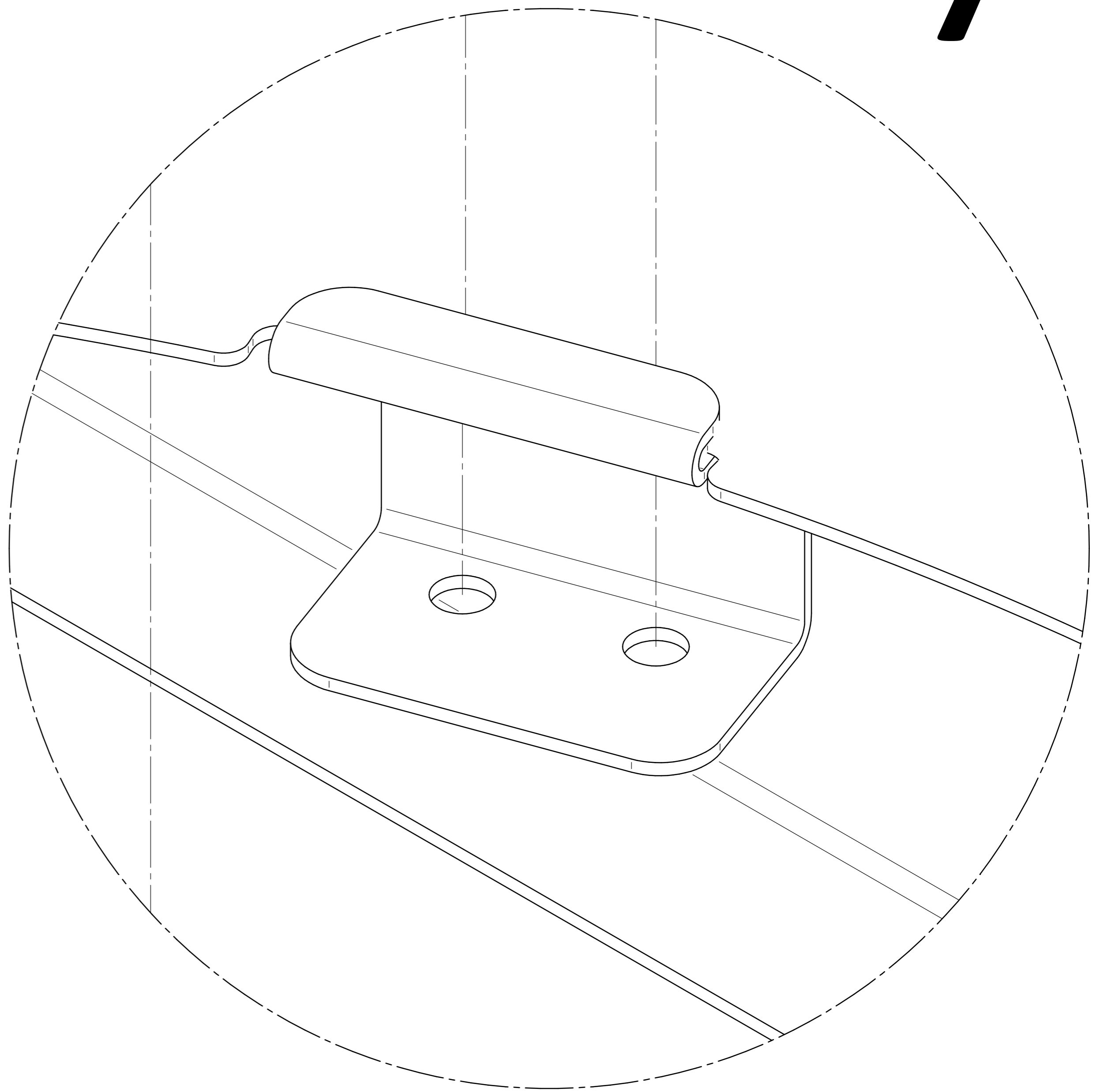
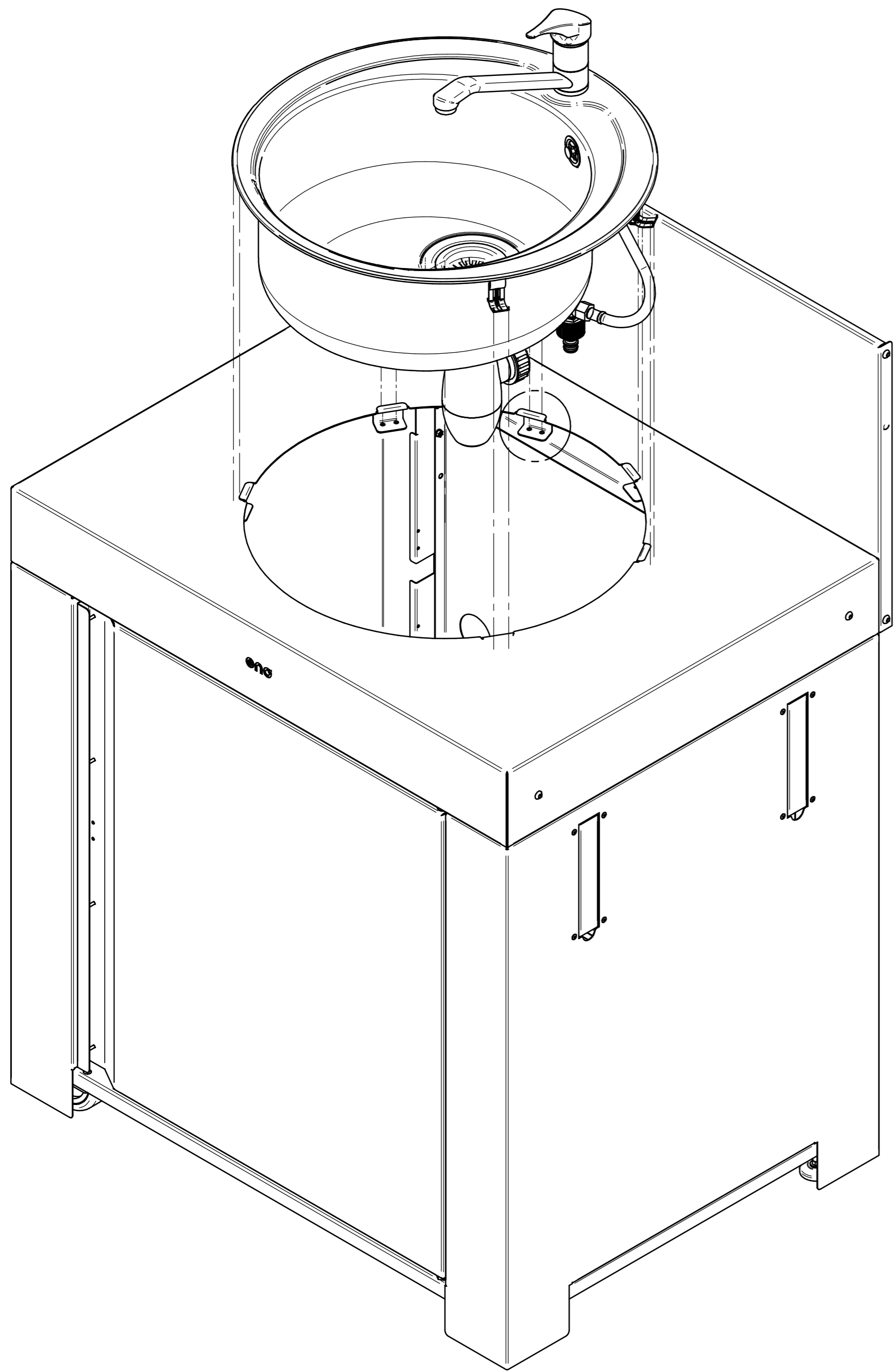
6



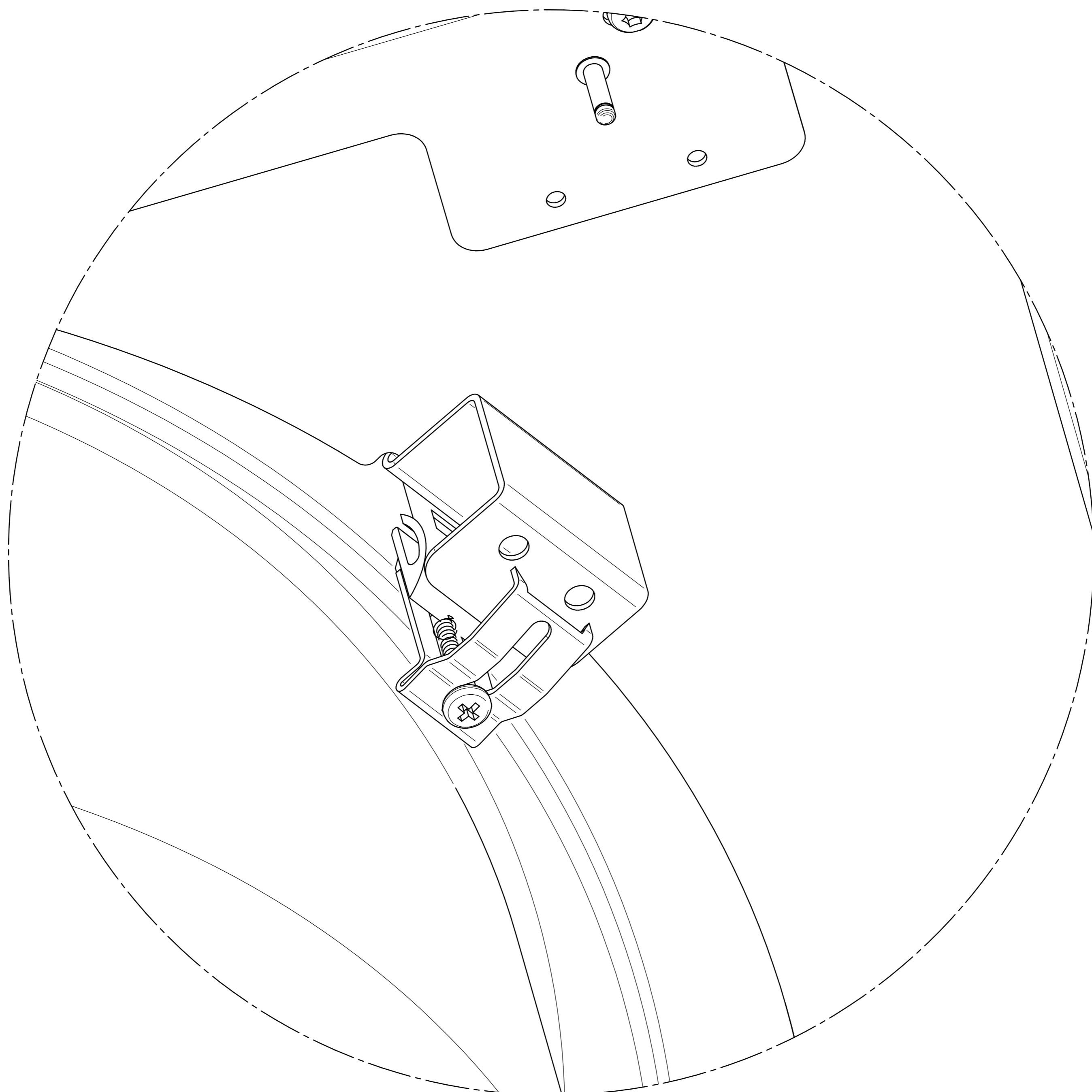
5  x6



# 7



# 8



T3 